

MERLYN

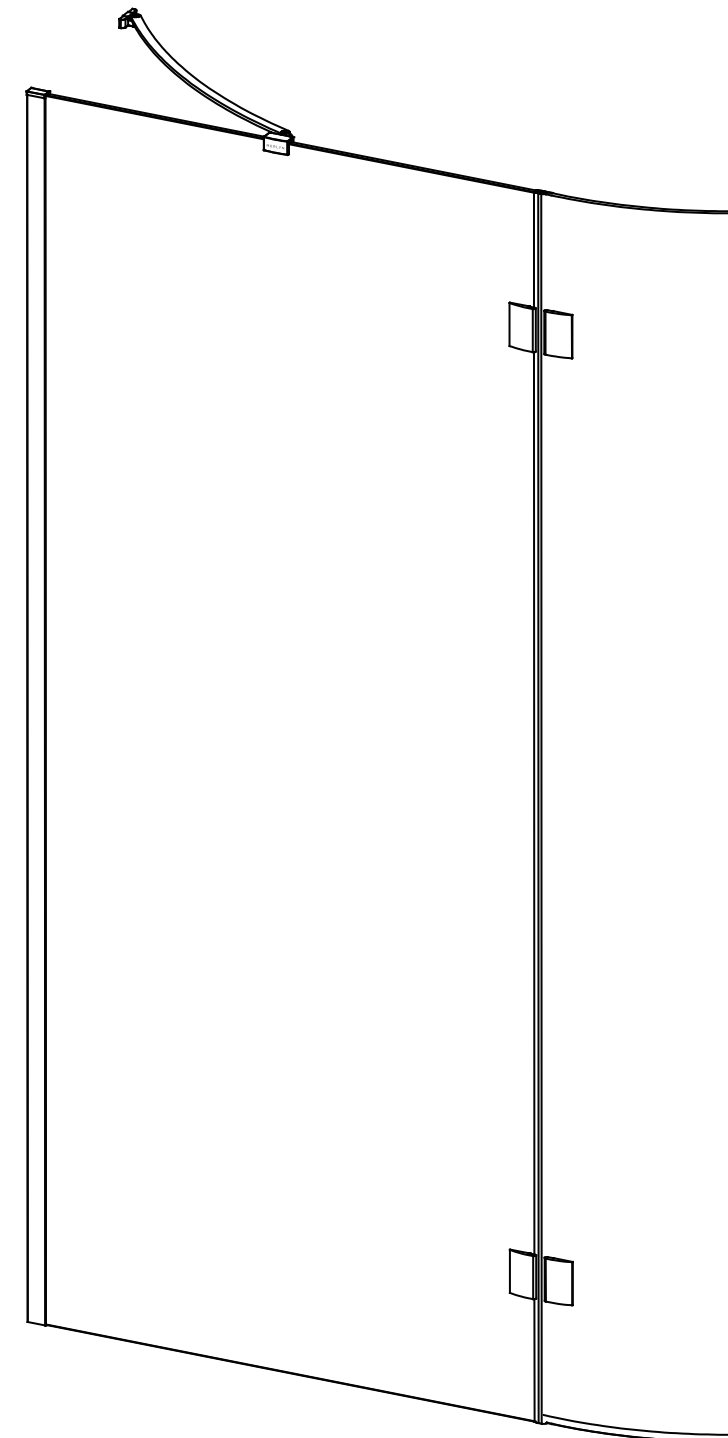
MERLYN

| | |
|--|--------|
| CE | |
| Merlyn Industries Ltd (MER13) | |
| CES8HS1.1 | |
| 19 | |
| EN 14428 | |
| Shower enclosures with aluminium profiles and safety glass | |
| Cleanability | : Pass |
| Impact resistance/shatter properties | : Pass |
| Durability | : Pass |

To download the Declaration of Performance (DOP) for this product please use the link below.

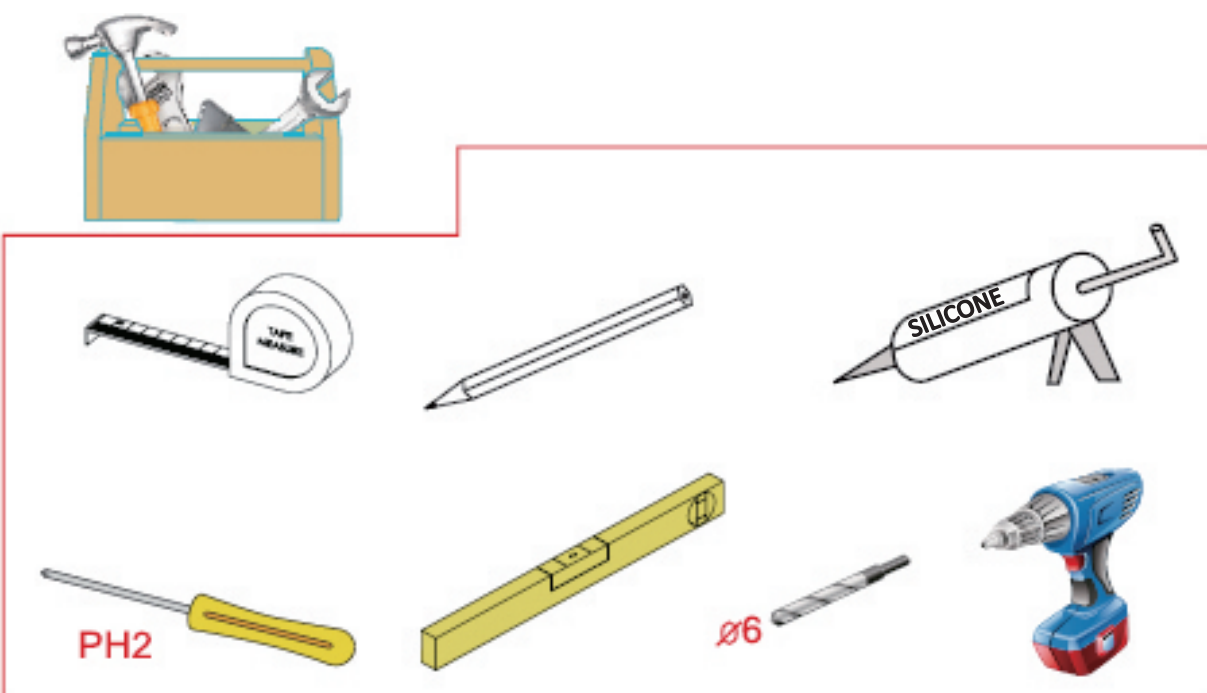
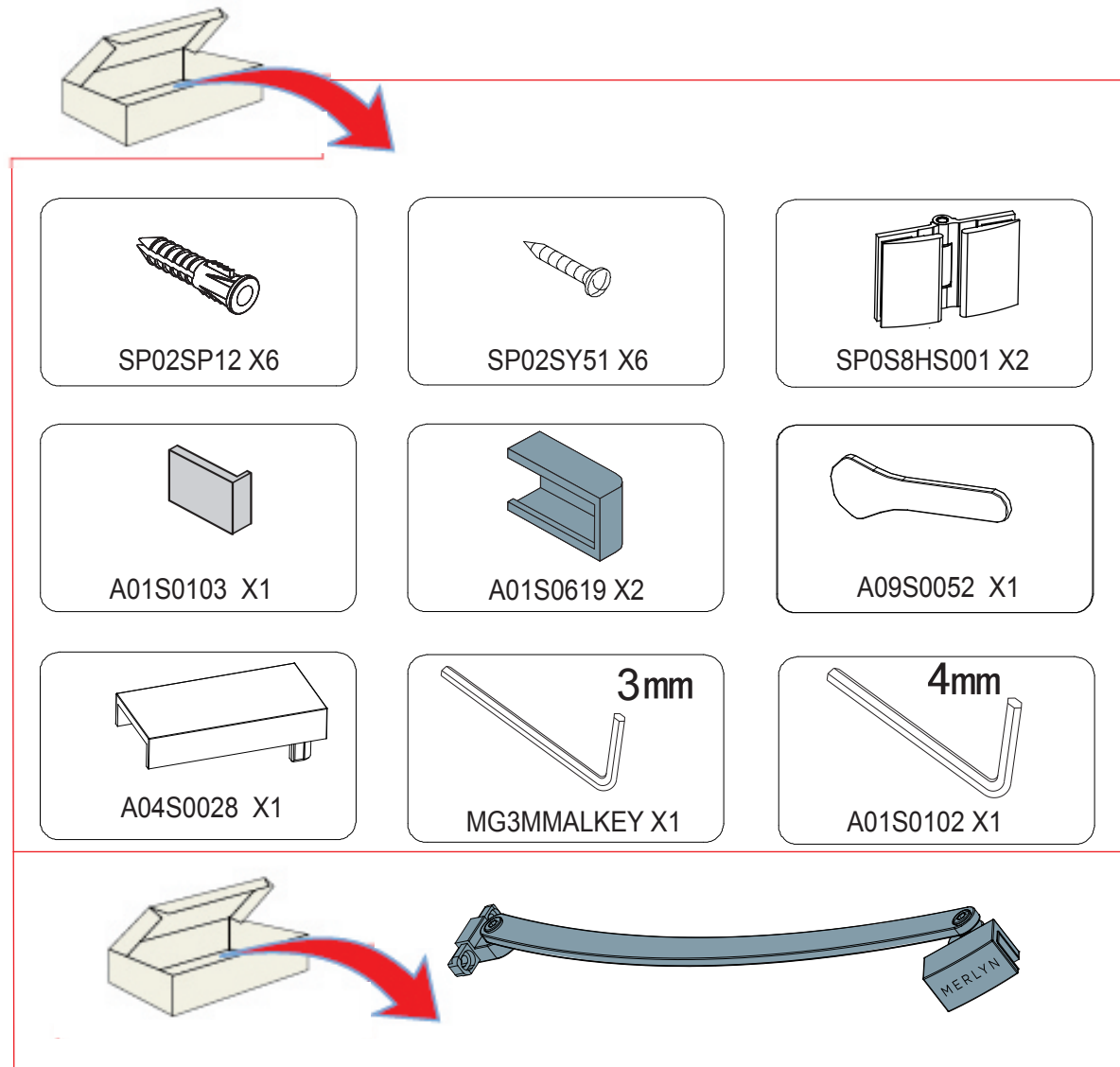
<http://merlynshowering.com/aftersales-support/dop-certs/>

For further information please contact IRL: 056 7791 555, UK: 08081011429



Installation Guide

MERLYN



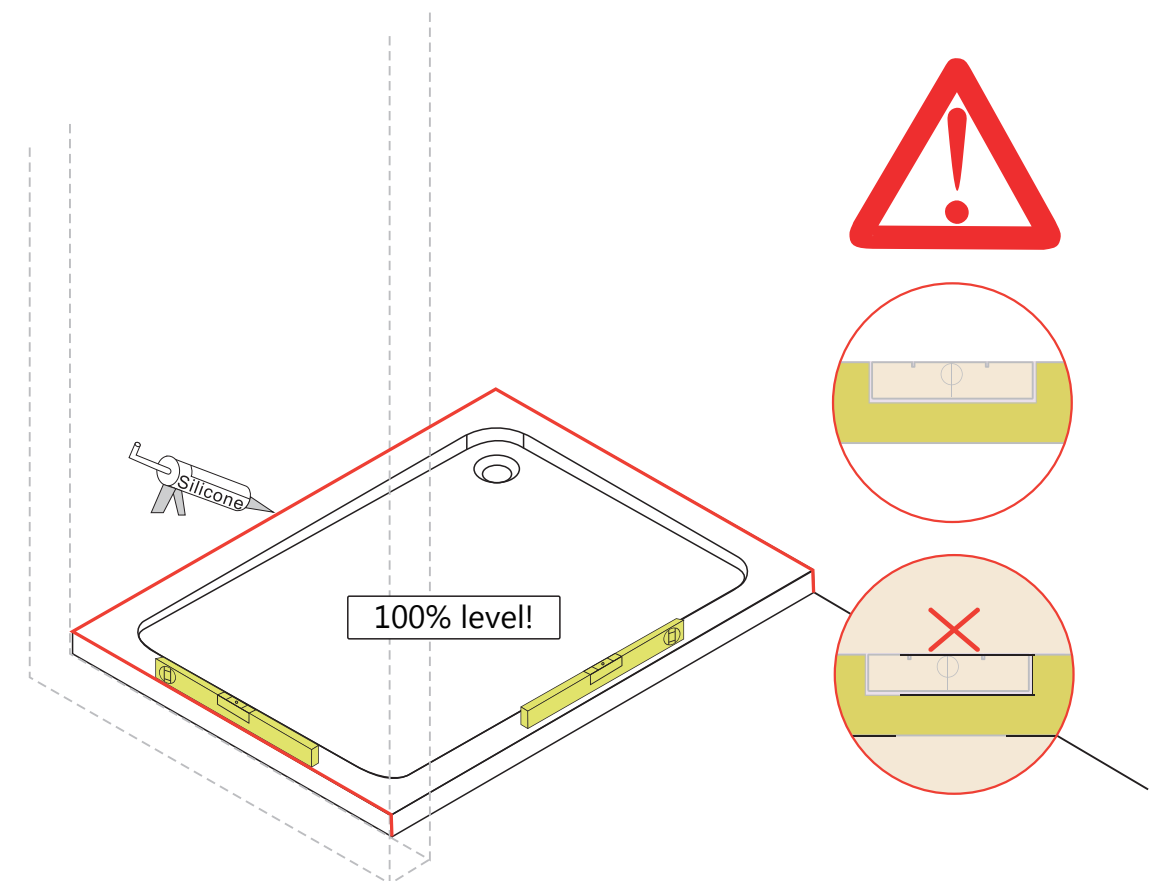
4.

MERLYN

Ensure the shower tray is level in all directions and is properly sealed to the wall. The wall must be tiled down to the top edge of the tray.

Do not angle out bottom tile.
TRAY MUST BE LEVEL IN ALL DIRECTIONS!

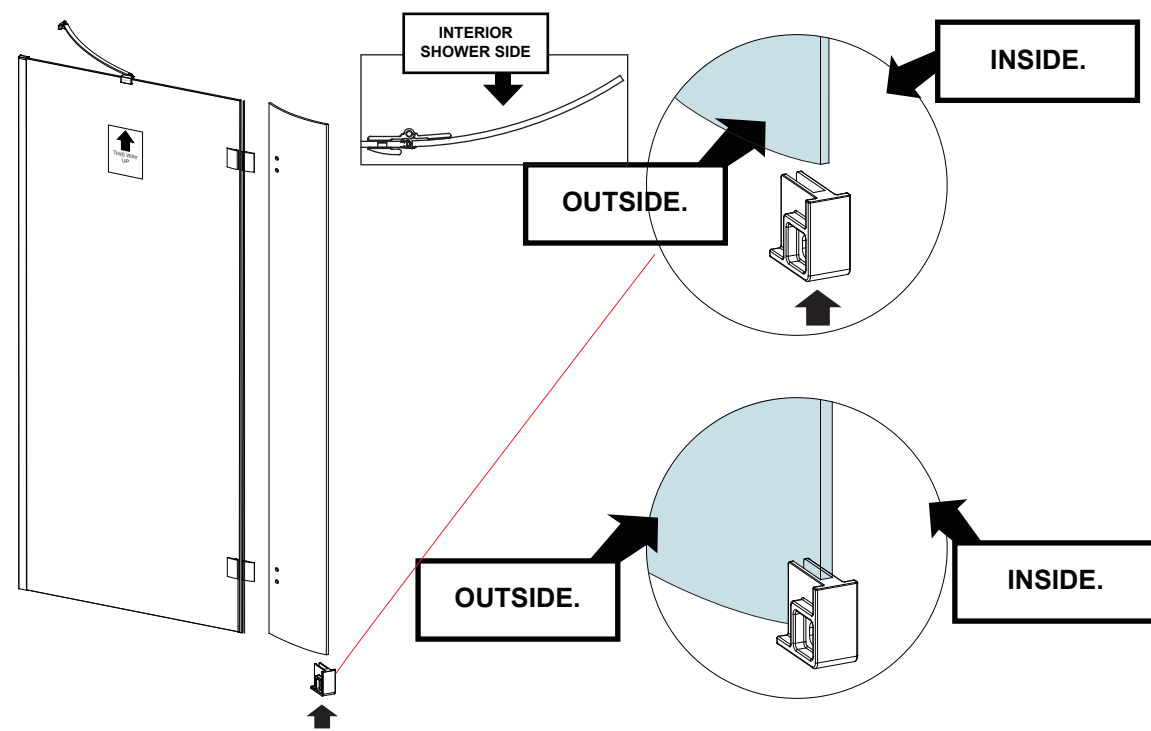
TRAY MUST BE SEALED FULLY AROUND WHERE THE TRAY MEETS THE WALL.



5.

MERLYN

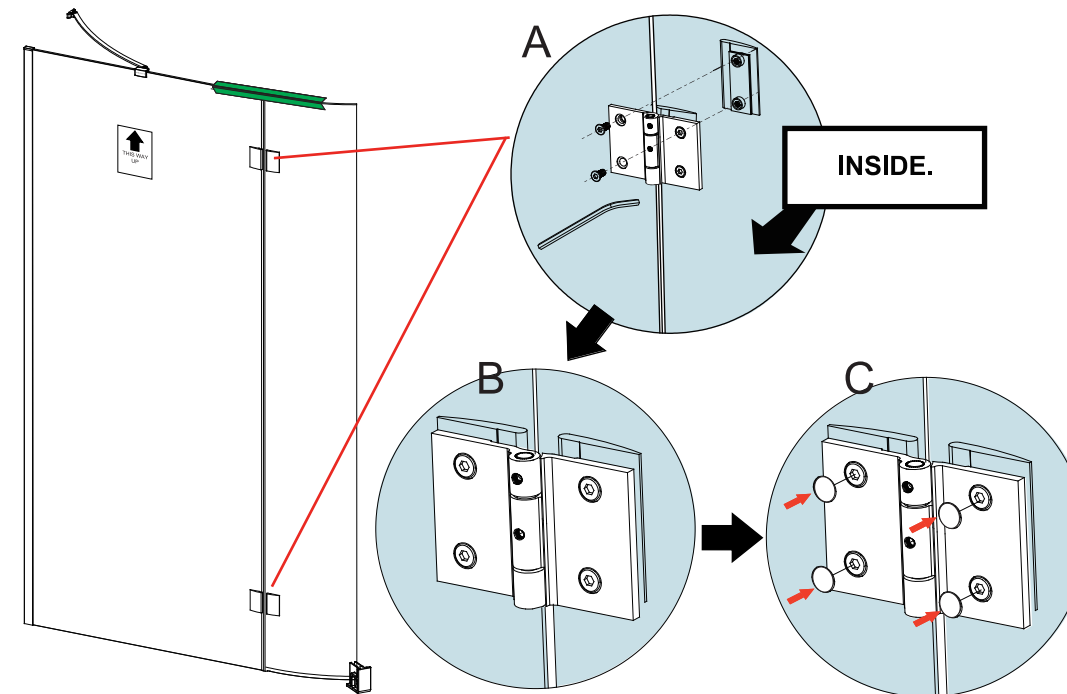
Fit the corner protector to the moving panel to set door at the approx. height.



9

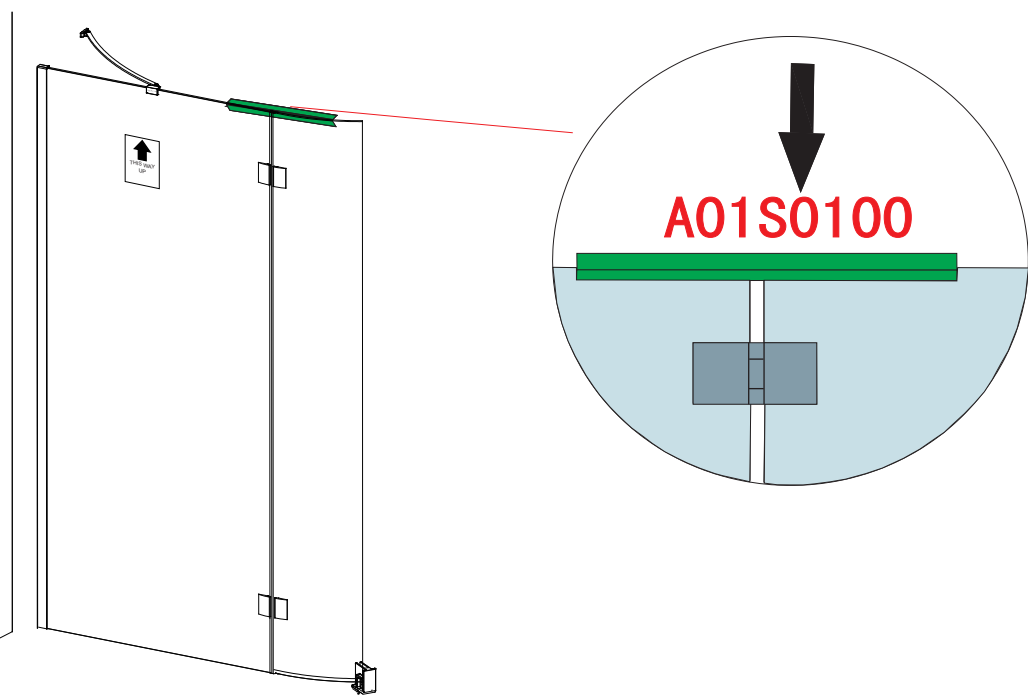
MERLYN

Make sure the panels are flush on top and there is an even gap between the panels from top to bottom. Fully tighten the remaining outer hinge plate and fit the cover caps.



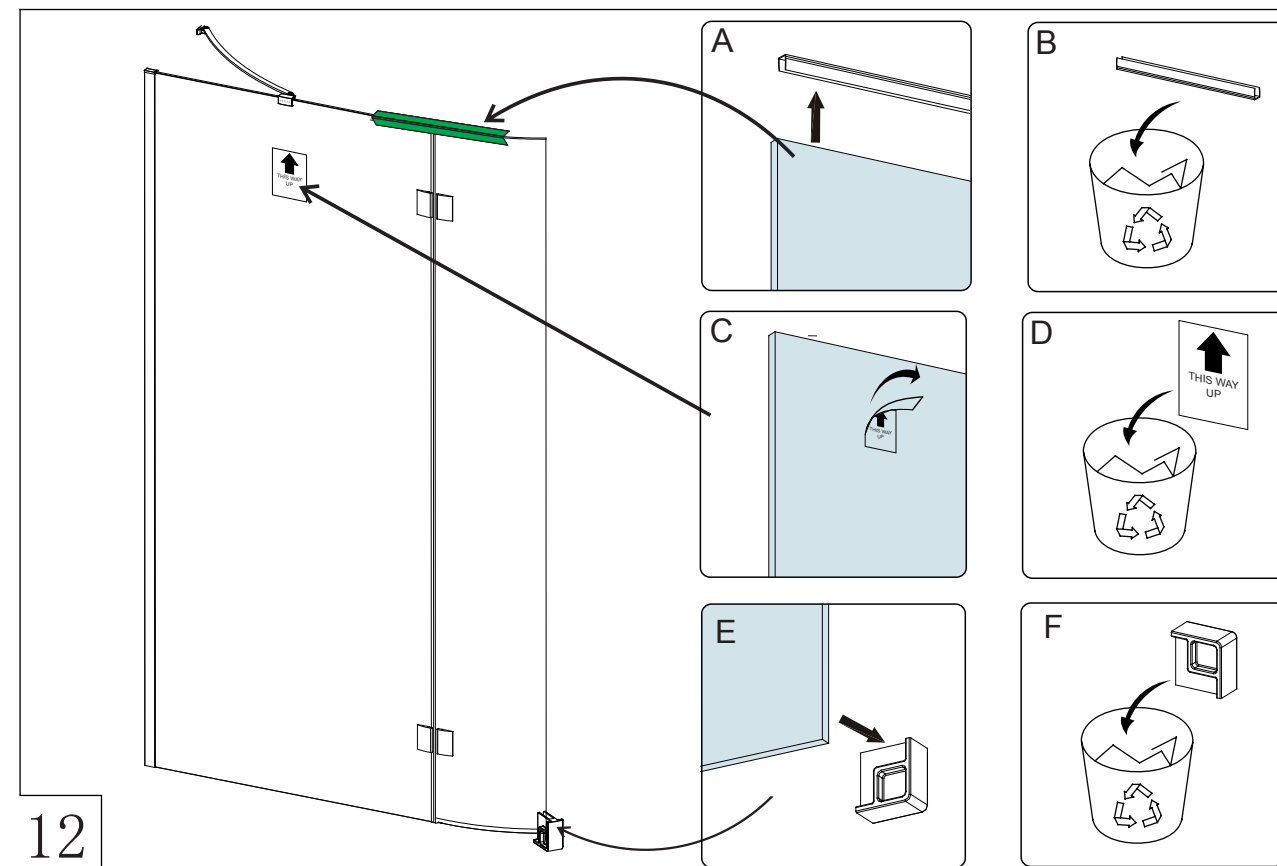
11

Place the holding seal across the two panels. Make sure to slide it fully over the edges of the panels to secure in position while the hinge installation is completed.



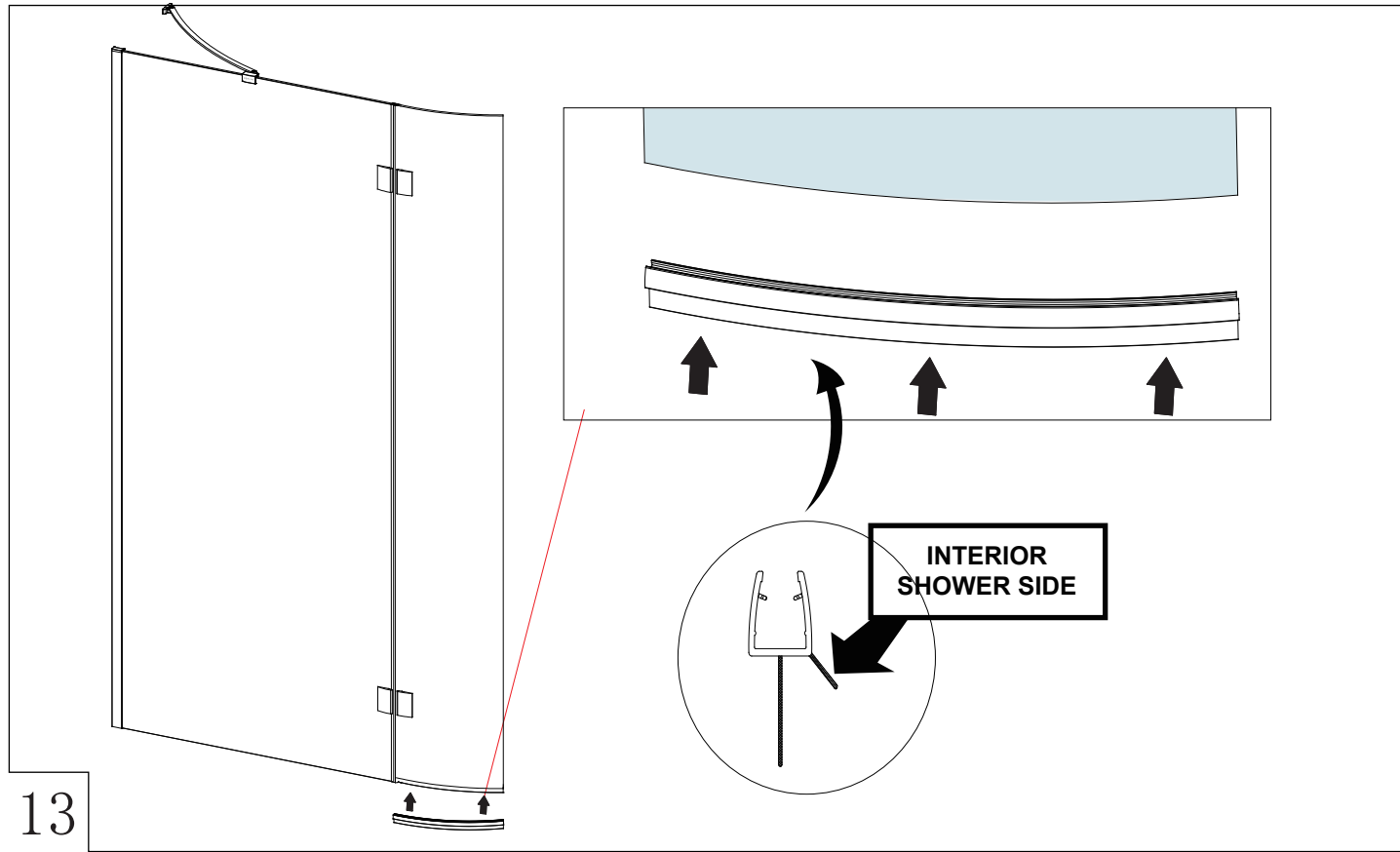
10

10.



12

11.



Before sealing make sure all surfaces are clean, dry and free from any residue such as grout.
 Use quality silicone sealant and applicator gun to finish the door.
 Seal between the wall and the wall profile.
 Seal between the bottom of the flat shower wall panel seal and the tray/floor.
 Seal a Min. 50mm between the glass and the wall profile.
DO NOT USE FOR 24 HOURS !

