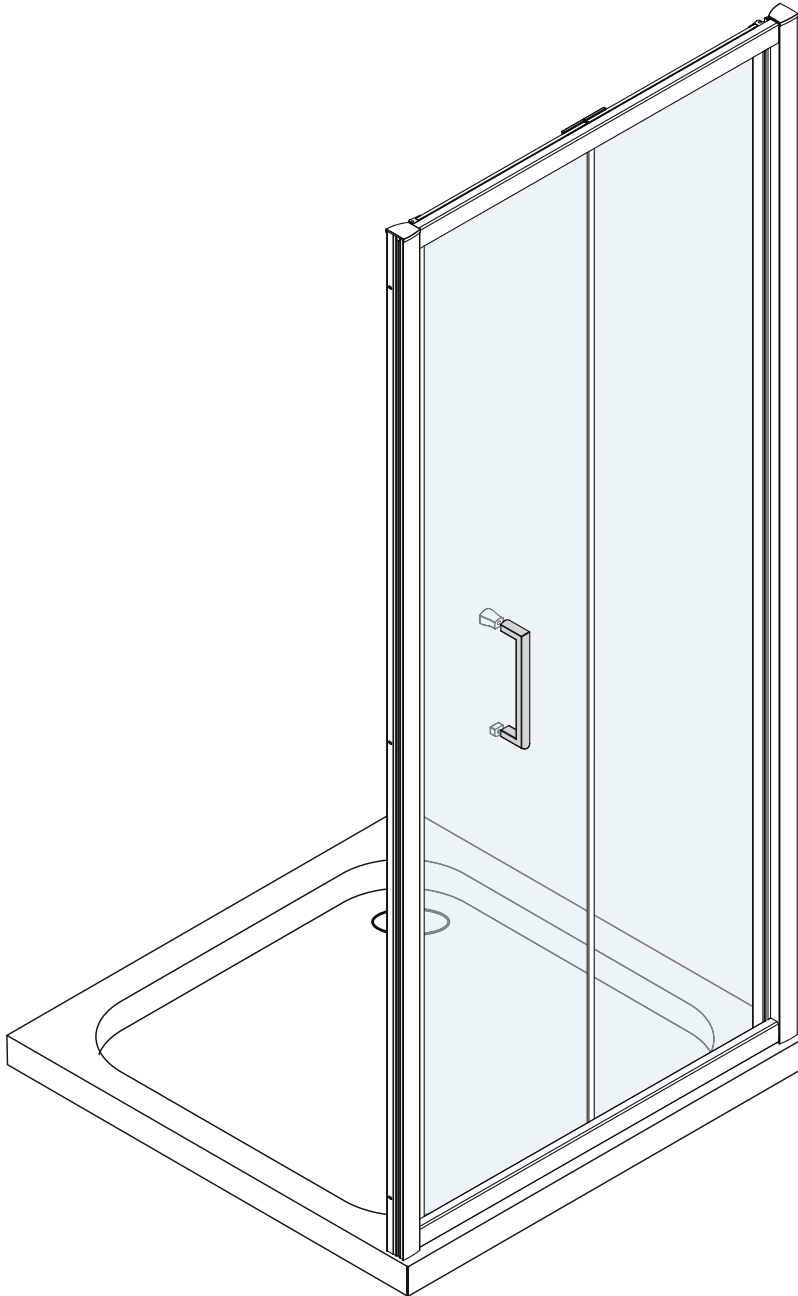


# Bifold Door

ADJ



## INSTALLATION INSTRUCTIONS

8MO 11

IN028EABFE5

**IMPORTANT:**  
**Please read the complete instructions  
before commencing fitting.**

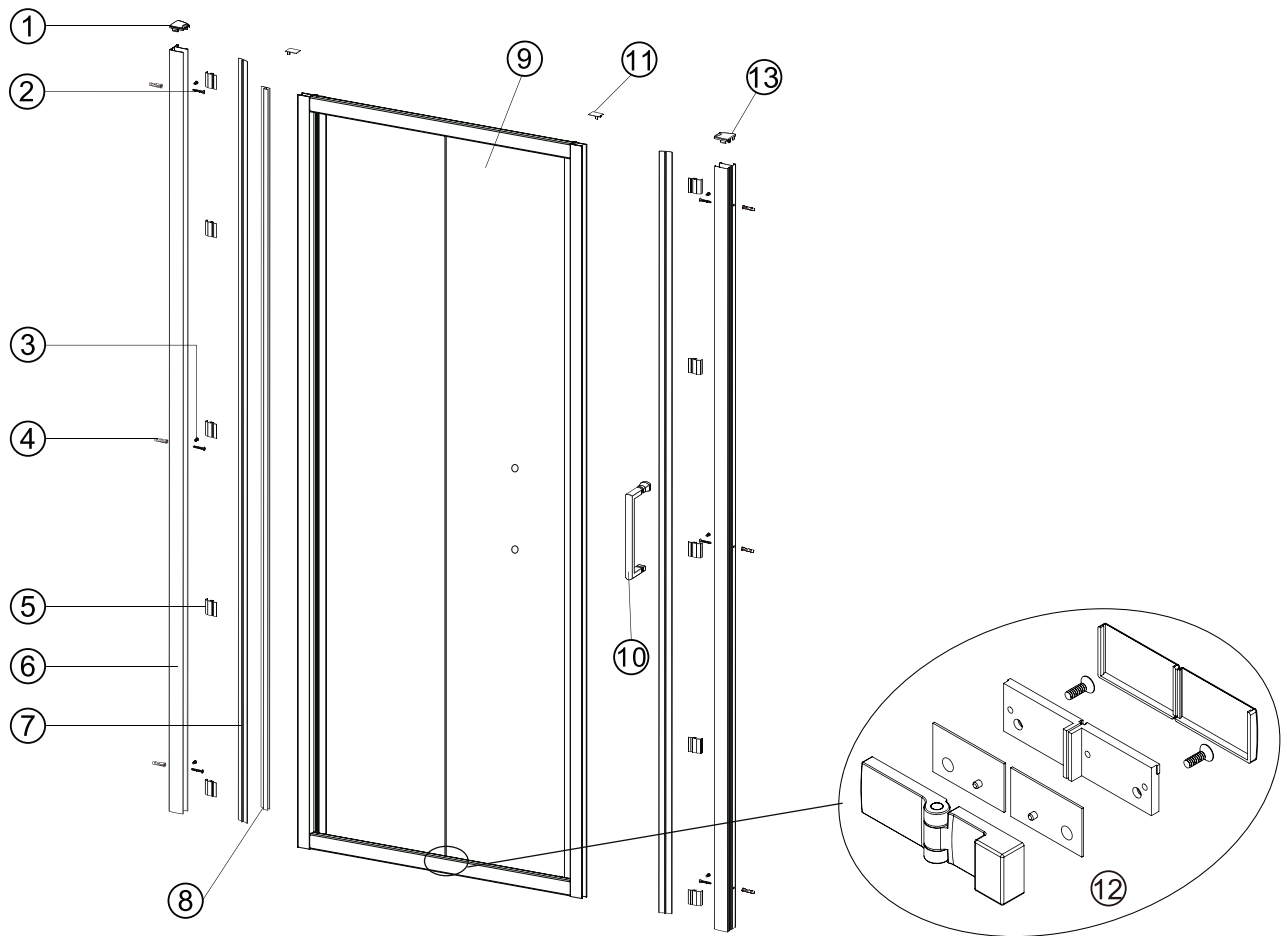
Make sure the tray is 100% level in all directions.  
Do Not attempt to install the product unless you  
can tick all 4 boxes satisfactorily.

- **Check that you have the tools required**
- **Check the installation site is compatible with  
the sizes of door supplied**
- **Check all the enclosure components are present**
- **Check the installation kit is complete**

The wall plugs supplied with the installation kit are  
for use in solid walls. Hollow or 'stud partition'  
walls will require alternative fixings. Please consult  
a hardware supplier for the correct type.  
It may also be necessary to consult your tiling  
supplier about the correct method for drilling your  
tiles.

**ATTENTION: TAKE EXTREME CARE WHEN  
HANDLING GLASS, WEAR PROTECTIVE EYEWEAR  
AND CLOTHING. DO NOT LEAVE THE GLASS ON  
HARD SURFACES AND AVOID CONTACT BETWEEN  
THE GLASS EDGES AND HARD SURFACES OR  
IMPACTS DURING THE INSTALLATION.**

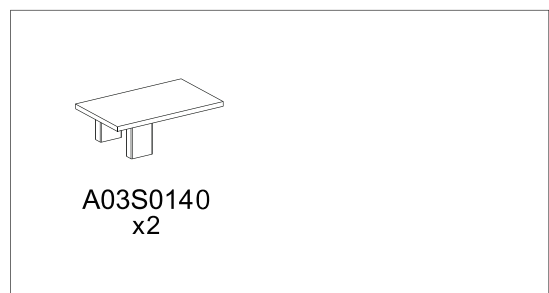
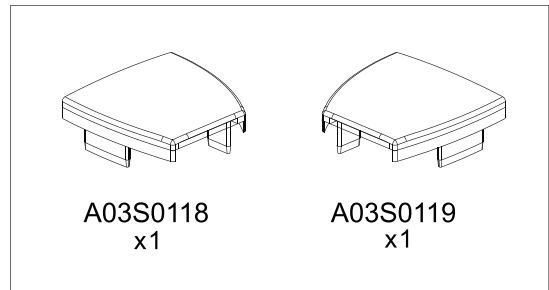
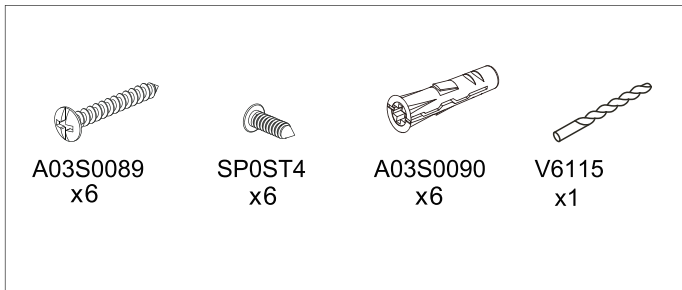
## COMPONENTS AND BOX CONTENTS



No.	Description	QTY	Part No.	No.	Description	QTY	Part No.
1	Cover cap for wall profile L	1	A03S0118	9	Glass Panel	1	B
2	Screw ST4x30	6	A03S0089	10	Handle	1	A
3	Flat head screw ST4x10	6	SP0ST4	11	Upright profile cover cap	2	A03S0140
4	Ø6mm wall plug	6	A03S0090	12	Complete hinge set	2	A03S0092
5	Coverstrip clip	10	A03S0116	13	Cover cap for wall profile R	1	A03S0119
6	Wall profile +Plastic part for cover strip	2	A03S0112				
7	Cover aluminium	2	A03S0115				
8	Bifold door middlele upright seal	1	A03S0071				

**Note:**Further part details for fixing kit available on page 2

## FIXING KIT COMPONENTS, TOOLS REQUIRED



Handle as supplied in carton may be different than shown

### Tools Required

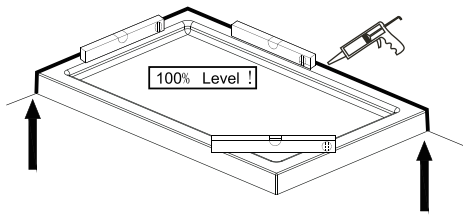
- 6mm masonry drill bit
- Spanner
- Power drill
- Quality Silicone
- Pencil
- Tape Measure
- #2 **Philips** Head screw driver
- Spirit level with horizontal and vertical level indicators

### IMPORTANT-Installation site

1. Ensure the top surface of the shower tray on which the enclosure will be installed is level in every direction.
2. The tiles or other wall finishing should be effectively sealed at the tray edges.
3. Tiles should extend at least to the corners of the tray and a minimum of 2.0 metres from the top of the tray.

# POSITIONING OF WALL PROFILES

## PROCEDURE



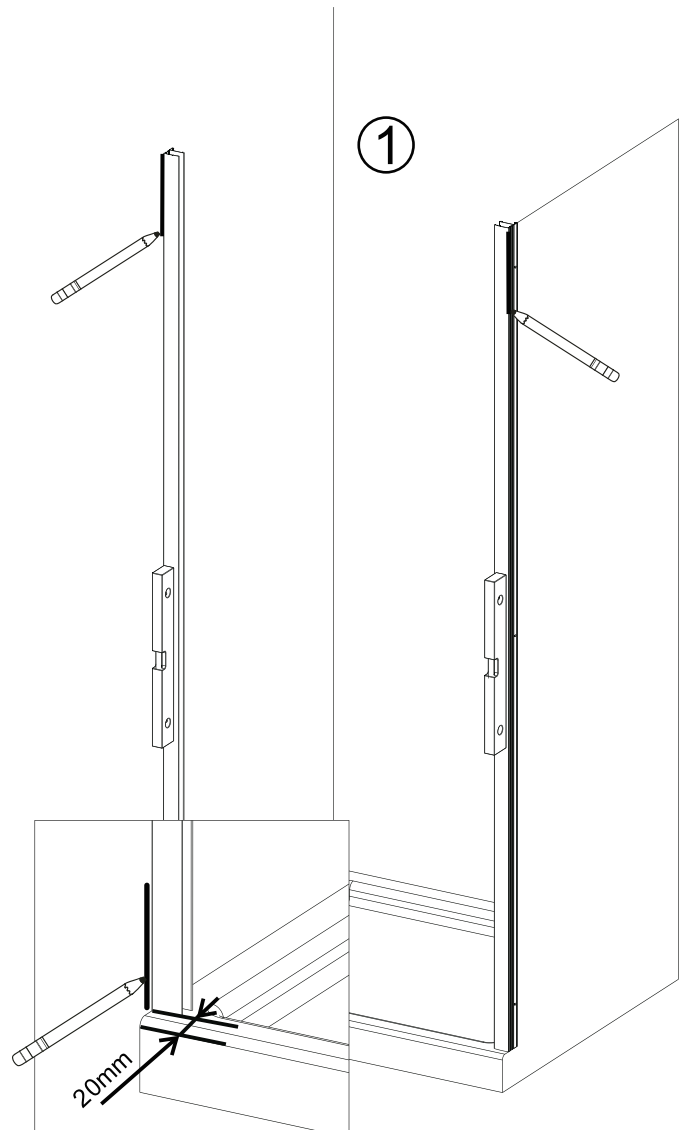
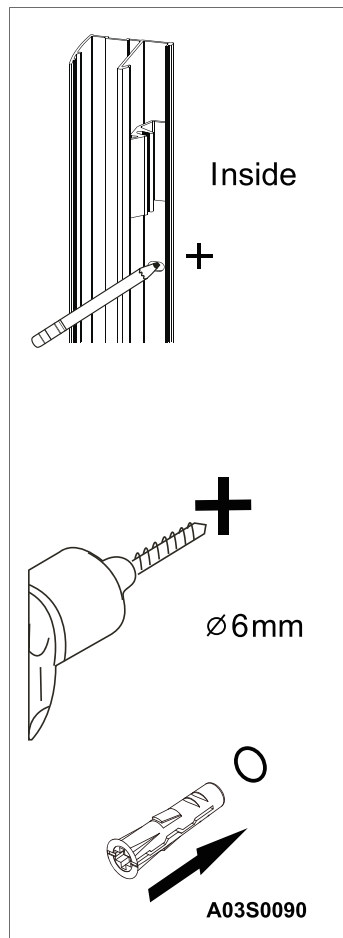
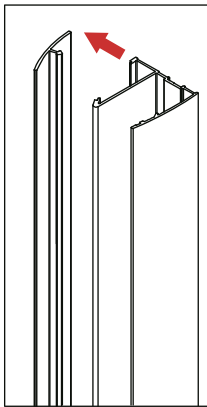
### TRAY MUST BE 100% LEVEL IN ALL DIRECTIONS

Ensure the shower tray is level in all directions and is properly sealed to the wall. The wall must be tiled down to the top edge of the tray. **Do not angle out bottom tile.**

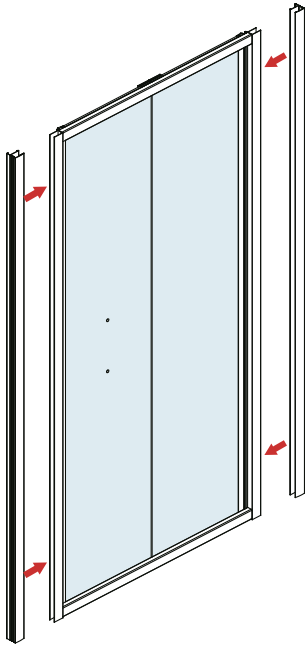
**TRAY MUST BE SEALED FULLY AROUND WHERE THE TRAY MEETS THE WALL.**

### Step 1

Step in the wall profiles 20mm. Ensure the wall profiles are plumb. Mark the position for fixing the wall profile to the wall. Drill with 6mm Masonry drill bit and insert wall plug **A03S0090**.

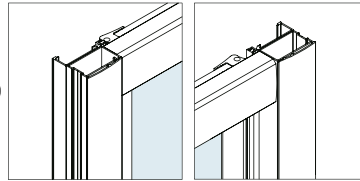


## FITTING THE WALL PROFILE



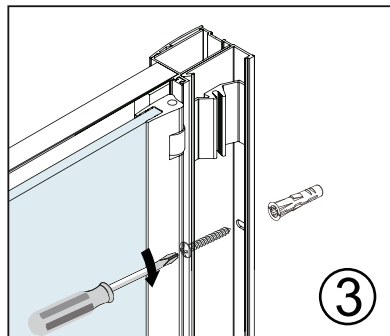
**Step 2**  
Slot wall profiles into door frame, then lift door onto the tray.

②

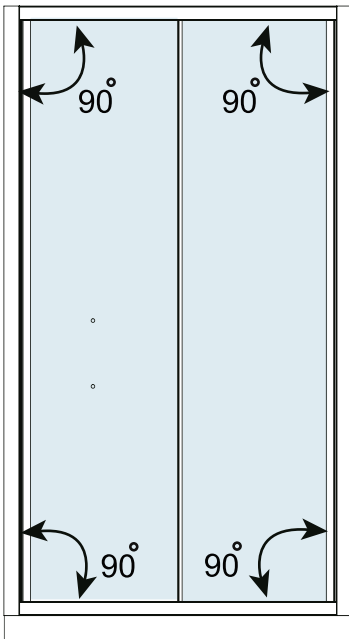


**Step 3**

Fix the wall profile to the wall with screws **A03S0089**.



③



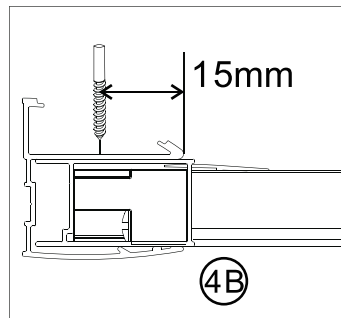
④A

**Step 4**

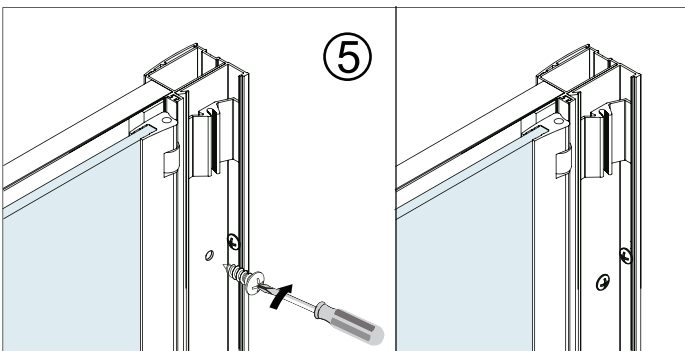
Ensure there is an equal gap between the bottom of the door and the frame (4A).

Drill 3 equally spaced holes with 3mm drill bit through the wall profile and frame (4B).

**IMPORTANT:** Ensure minimum of 15mm from the front edge of the frame (see picture below).



④B

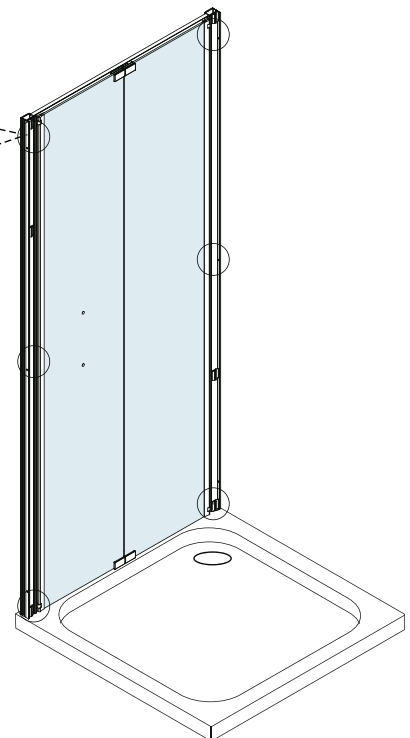


⑤

**Step 5**

Fix the frame with screws **SPOST4**.

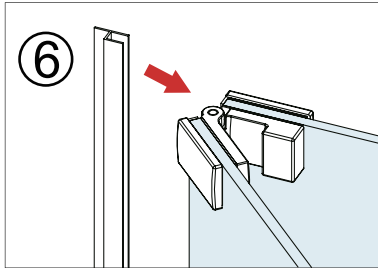
**IMPORTANT:** Ensure frame is 100% square and the door closes square in the frame (should be an even gap between bottom of door panel and the bottom profile).



# FINISHING

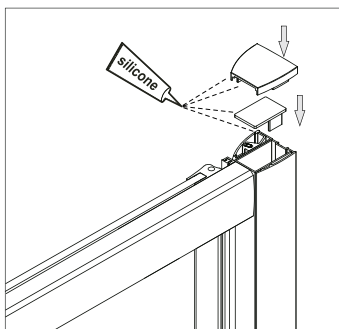
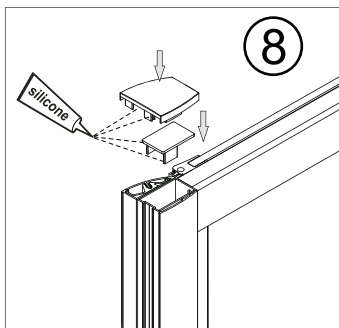
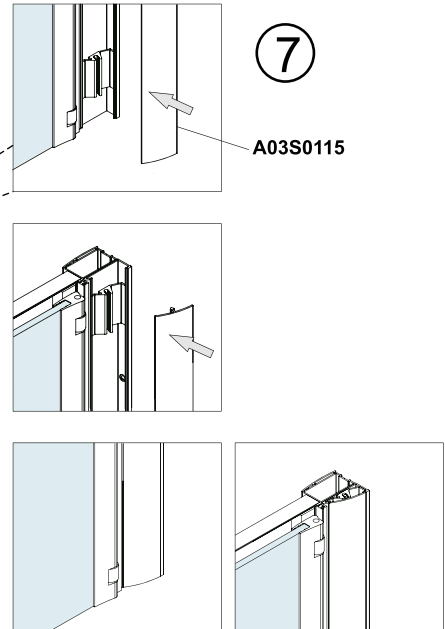
## Step 6

Push on upright seal to back of moving panel, keeping fin to inside.



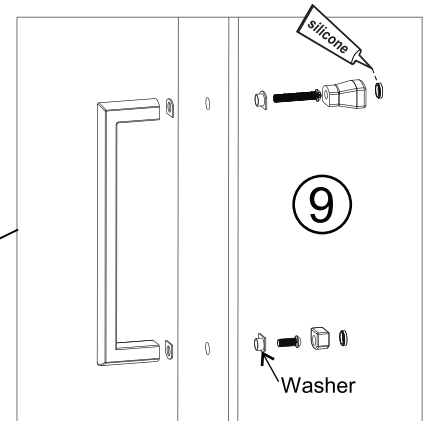
## Step 7

Attach the cover strip **A03S0115** to the wall profile.



## Step 8

Insert the upright profile cover caps **A03S0140** followed by the wall profile cover caps **A03S0118/119**. Add a dab of silicone to secure in place.



## Step 9

Fit handle to door

## SEALING

### Step 10

Use a quality silicone sealant to seal the finished door. Seal joints between the upright profiles and the bottom rail.

#### Sealing Inside

Seal top to bottom on the **INSIDE** between the wall profile and the wall.

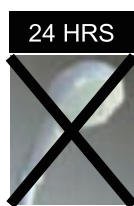
**Note:** Do not apply sealant on inside of tray.

#### Sealing Outside

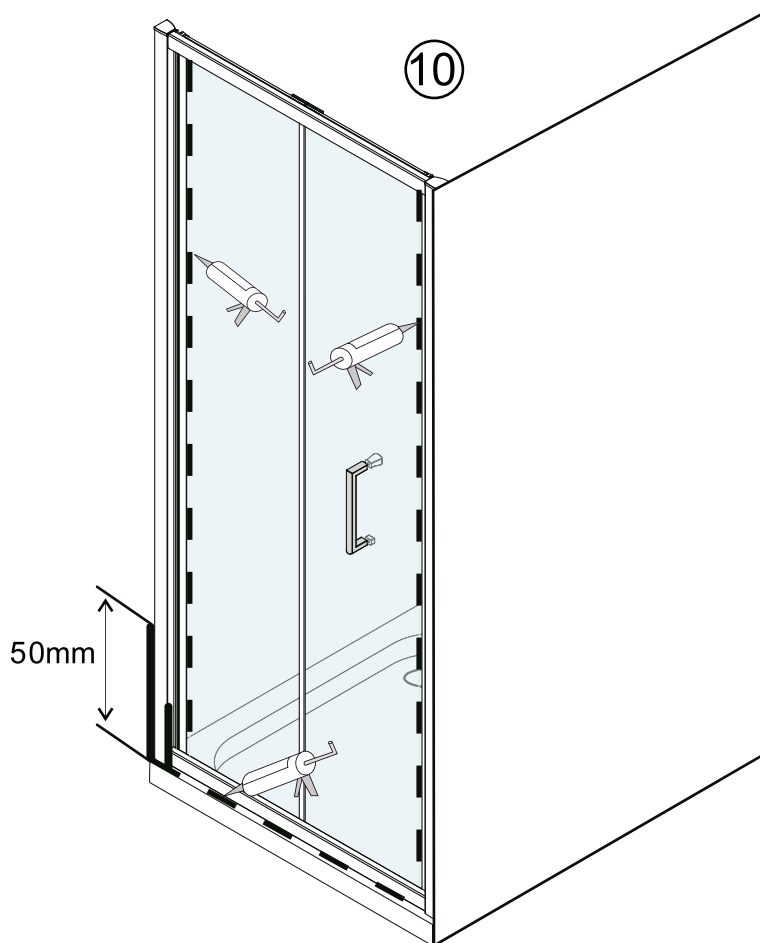
Seal only along bottom rail on the **OUTSIDE** between profile and the tray and approx 50mm up between the wall profile and the wall.

Seal also where wall profile and frame profile overlap 50mm up.

Seal also the joints between the bottom profile and the upright profiles.



DO NOT USE THE ENCLOSURE FOR 24 HOURS AFTER SEALING



## TROUBLE SHOOTING GUIDE

### DOOR NOT ALIGNING

1. Is the tray level and secured? (See Page 3).
2. Are the wall profiles plumb (vertically aligned and checked with a spirit level)? (See step 2).
3. Is the frame 100% square? (See step 6)

### DOOR LEAKING

1. Is the unit correctly sealed with silicone? (See step 12)
2. If there is a gap top or bottom between the magnets adjust the wall profile where fixed to the wall.

### OTHERS

Do the finished measurements on the tray comply with the adjustments listed in the product specifications book?