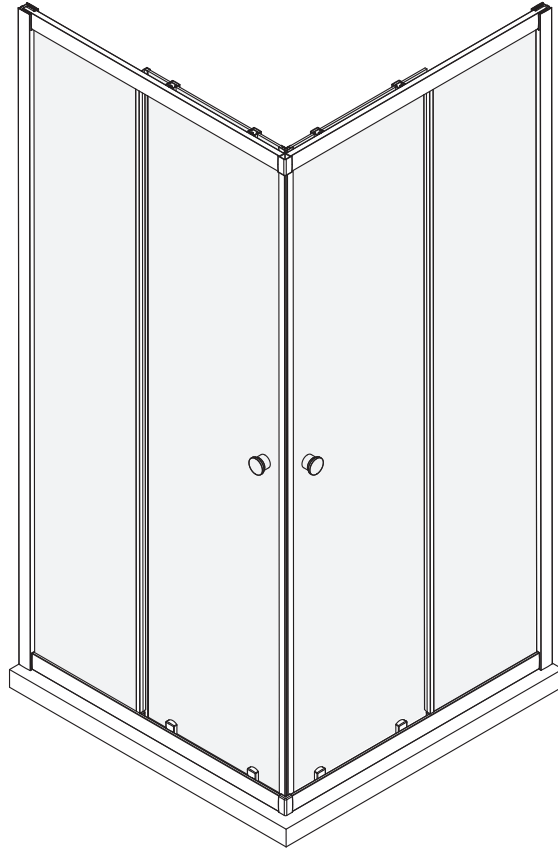


CORNER DOOR INSTALLATION GUIDE



Installation video

PATENT PENDING

IMPORTANT:Please read the complete instructions before commencing fitting.

Make sure the tray is 100% level in all directions.

Check that you have the tools required.

Check the installation site is compatible with the size of door supplied.

Check all the enclosure components are present.

Check the installation kit is complete.

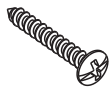
Do Not attempt to install the product unless you can tick all 4 boxes.

The wall plugs supplied with the installation kit are for use in solid walls. Hollow or 'stud partition' walls will require alternative fixings. Please consult a hardware supplier for the correct type. It may also be necessary to consult your tiling supplier about the correct method for drilling your tiles.

ATTENTION: TAKE EXTREME CARE WHEN HANDLING GLASS, WEAR PROTECTIVE EYEWEAR AND CLOTHING. DO NOT LEAVE THE GLASS ON HARD SURFACES AND AVOID CONTACT BETWEEN THE GLASS EDGES AND HARD SURFACES OR IMPACTS DURING THE INSTALLATION.

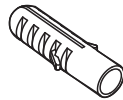
Fixing kit components

Wall screw



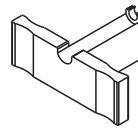
2SY51 x6

Wall plug



2SP12 x6

Installation tool



K023 x1

Hex key



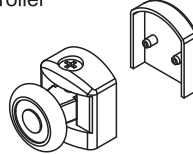
MG3MMALKEY x 1

Handle



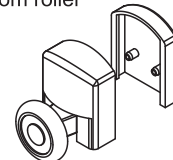
SP0C063 x2

Top roller



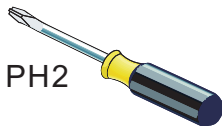
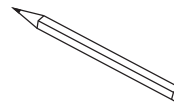
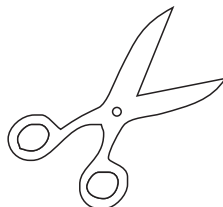
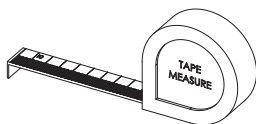
K052 x4

Bottom roller

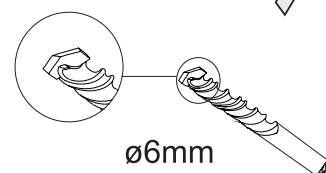
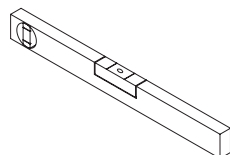


K053 x4

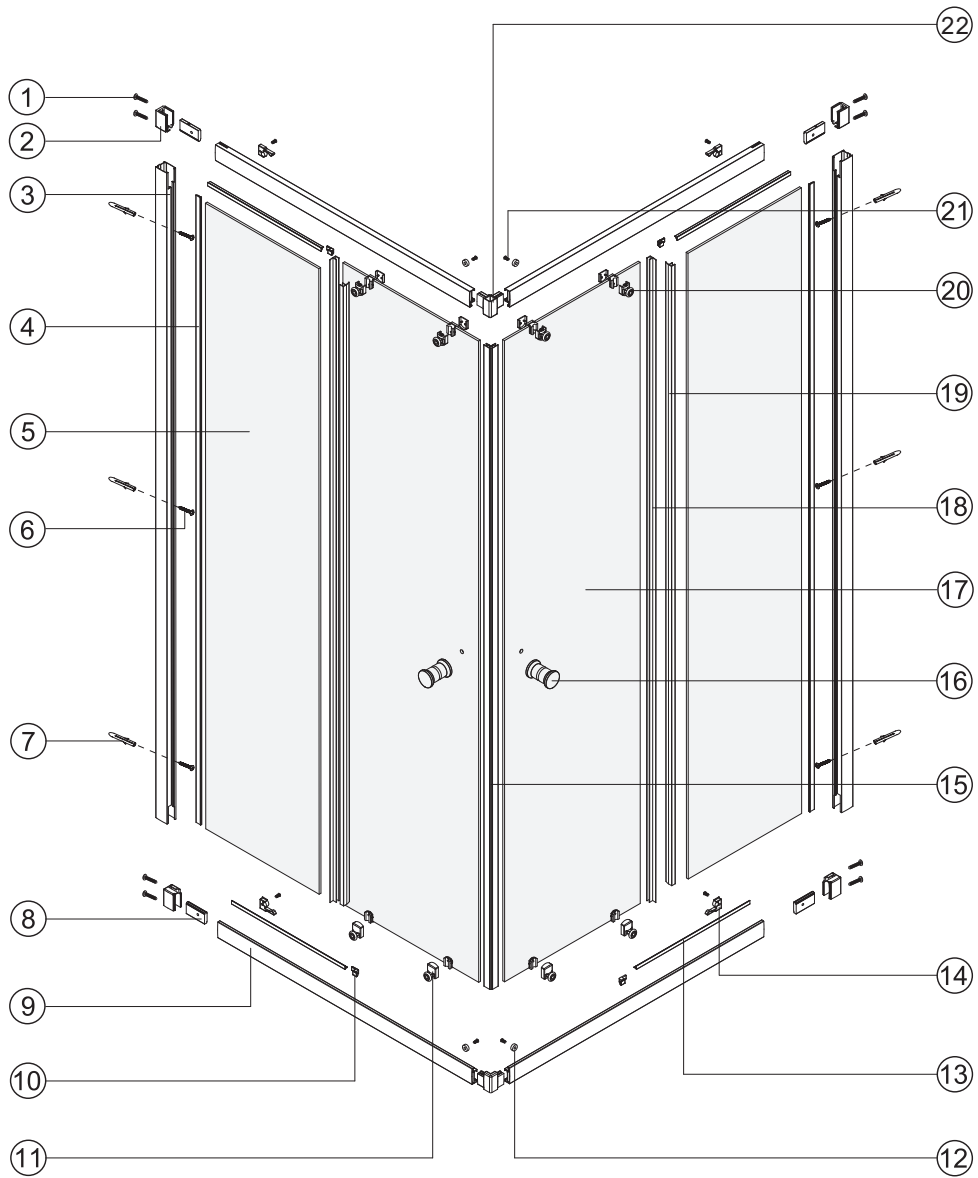
Tools required



PH2



ø6mm



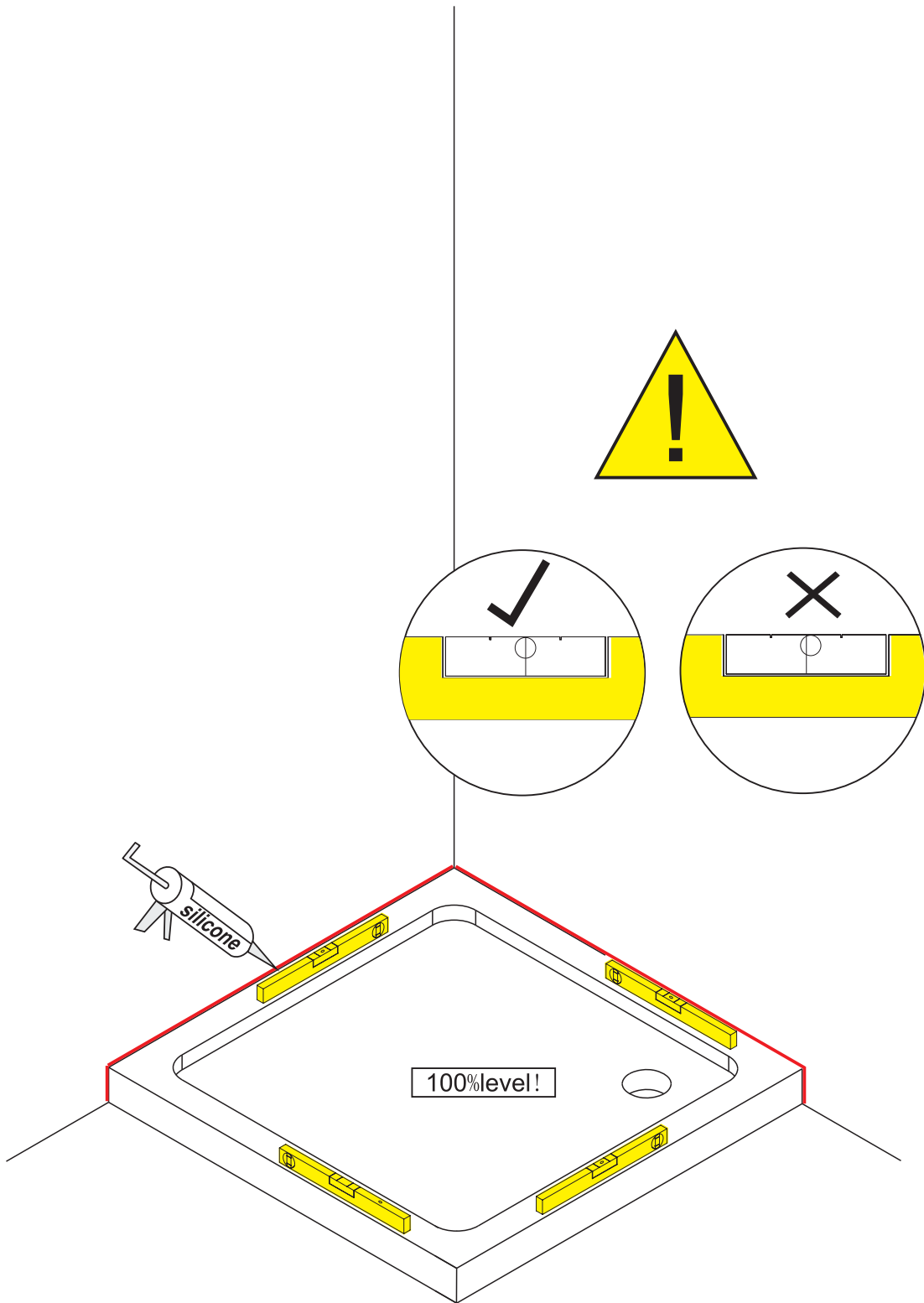
No.	Qty	Code
1	8	K145
2	4	K001/K002
3	2	K072
4	2	K165
5	2	A
6	6	2SY51
7	6	2SP12
8	4	K008/K009
9	4	K174~K175

No.	Qty	Code
10	4	K011/K012
11	4	K053
12	4	K156
13	4	K114
14	4	K005/K006
15	2	K125
16	2	SP0C063
17	2	B
18	2	K117

No.	Qty	Code
19	2	K121
20	4	K052
21	8	K158
22	2	K041

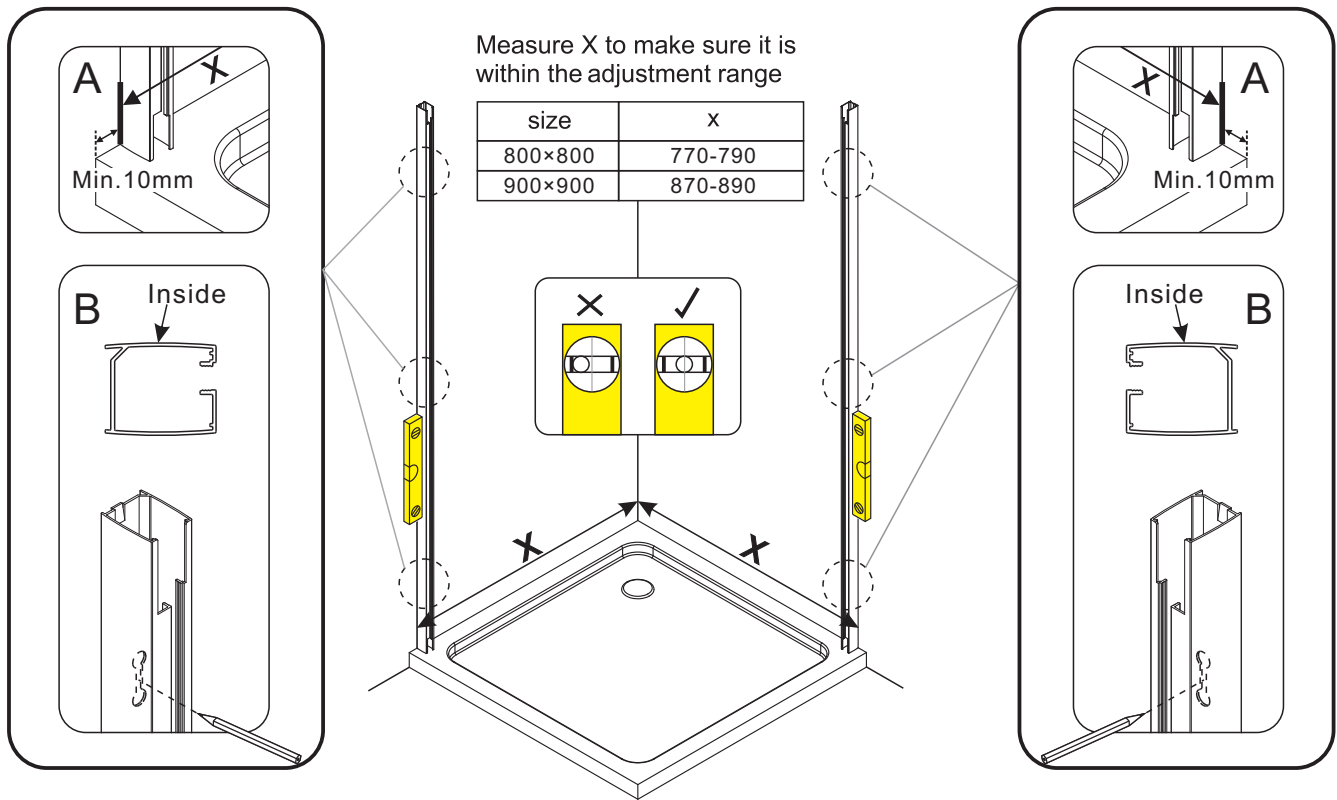
1

Please ensure your tray is 100% level in all directions before fitting your enclosure.

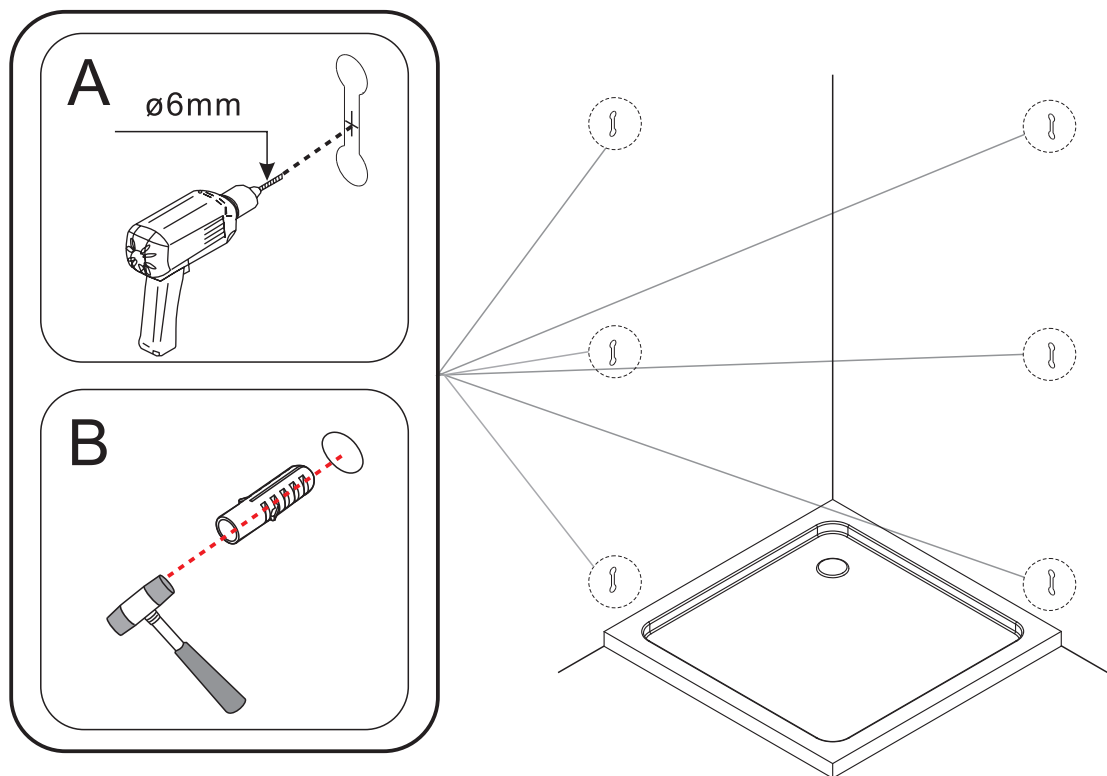


2

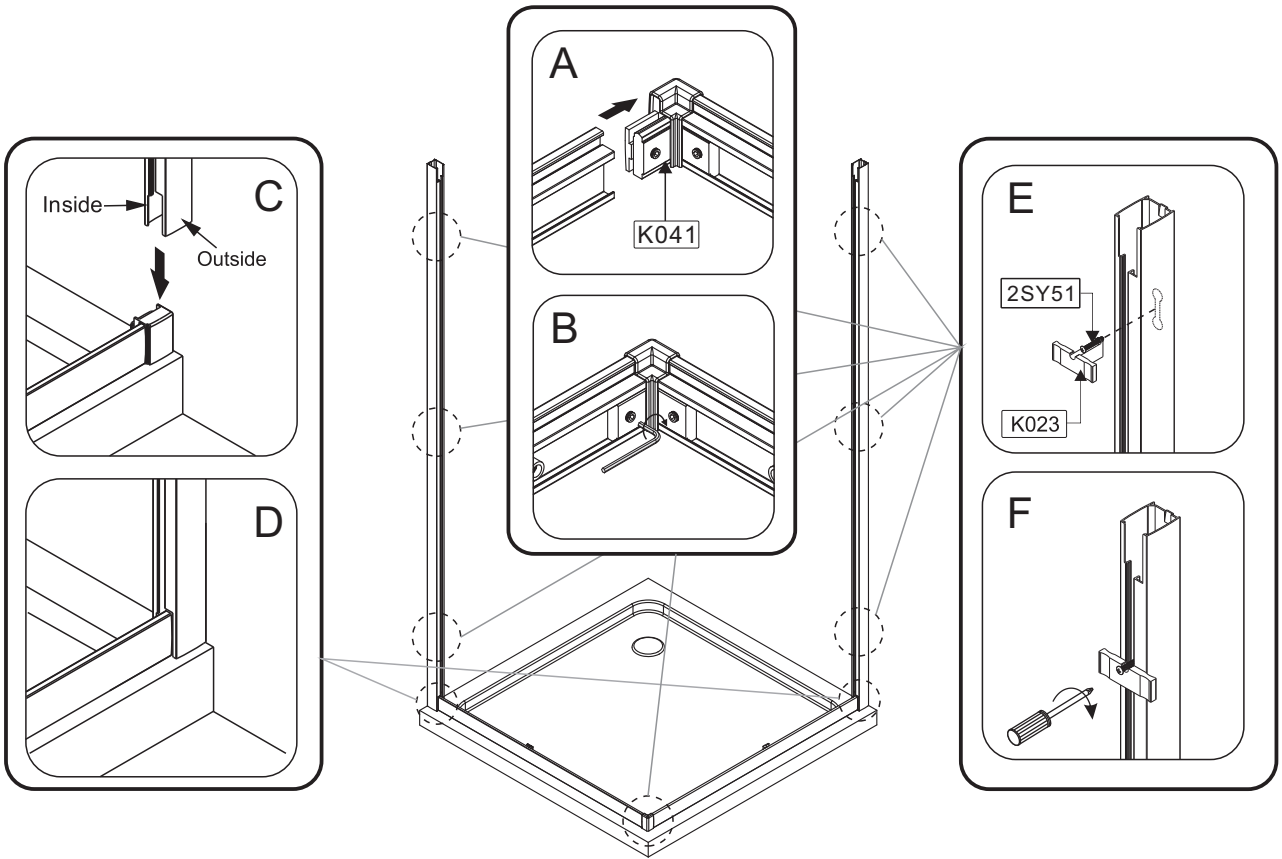
Before marking the fixing positions check the label on the back of the profile indicating the side of the profile to face inside !



3

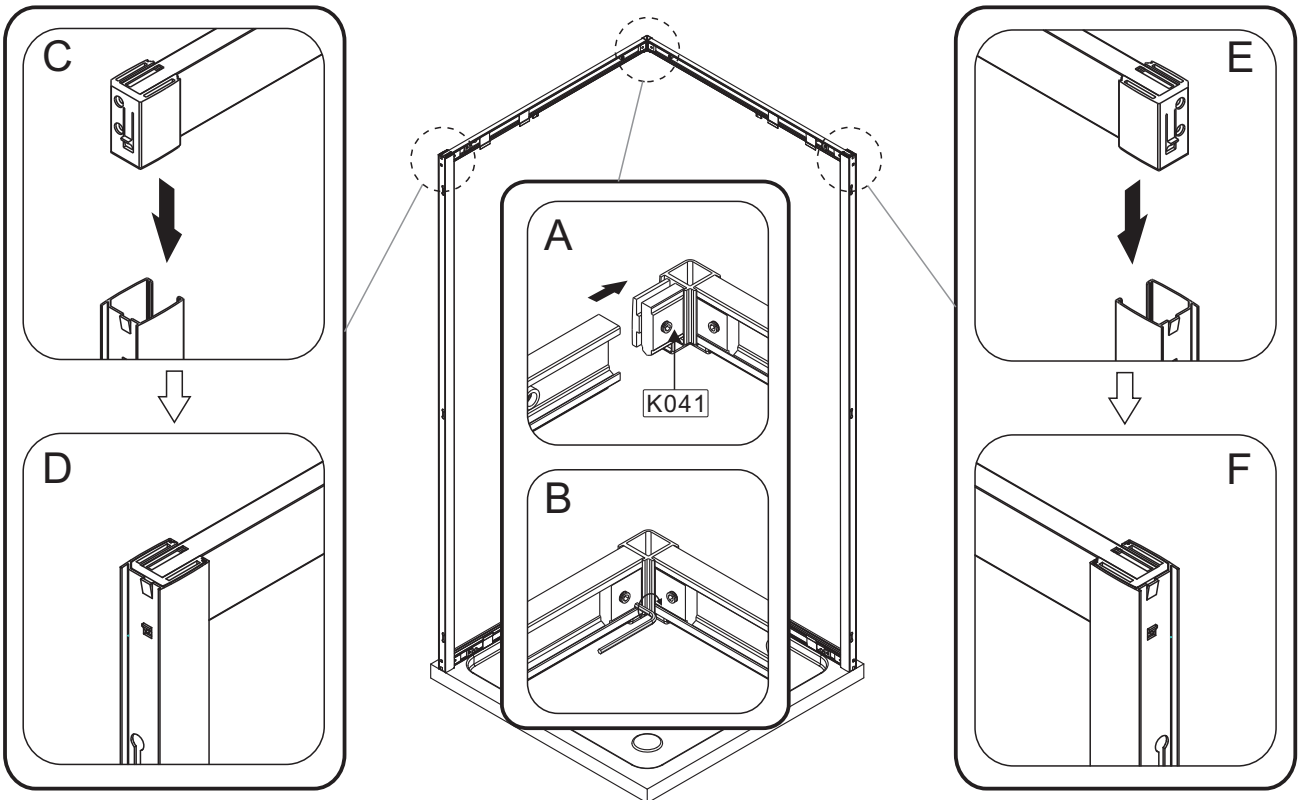


4



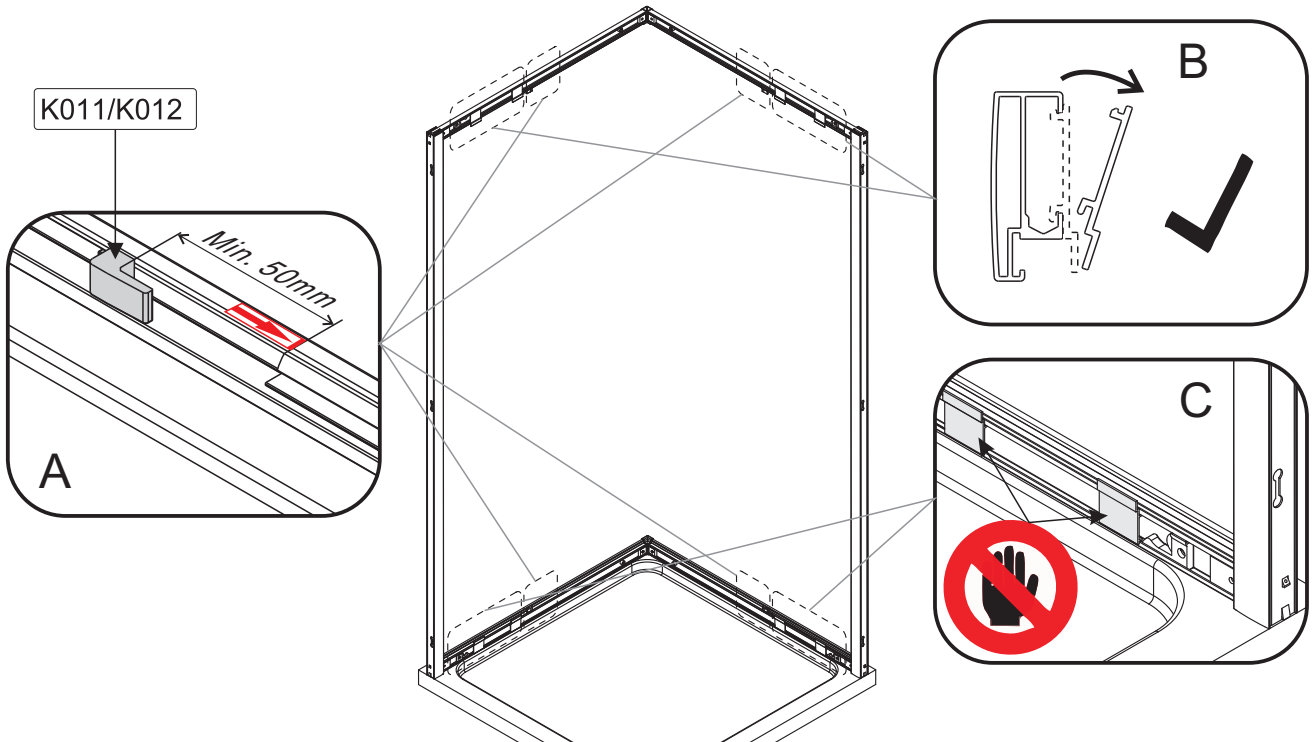
5

Tighten the grub screws until they are flush with the surface of the corner bracket.



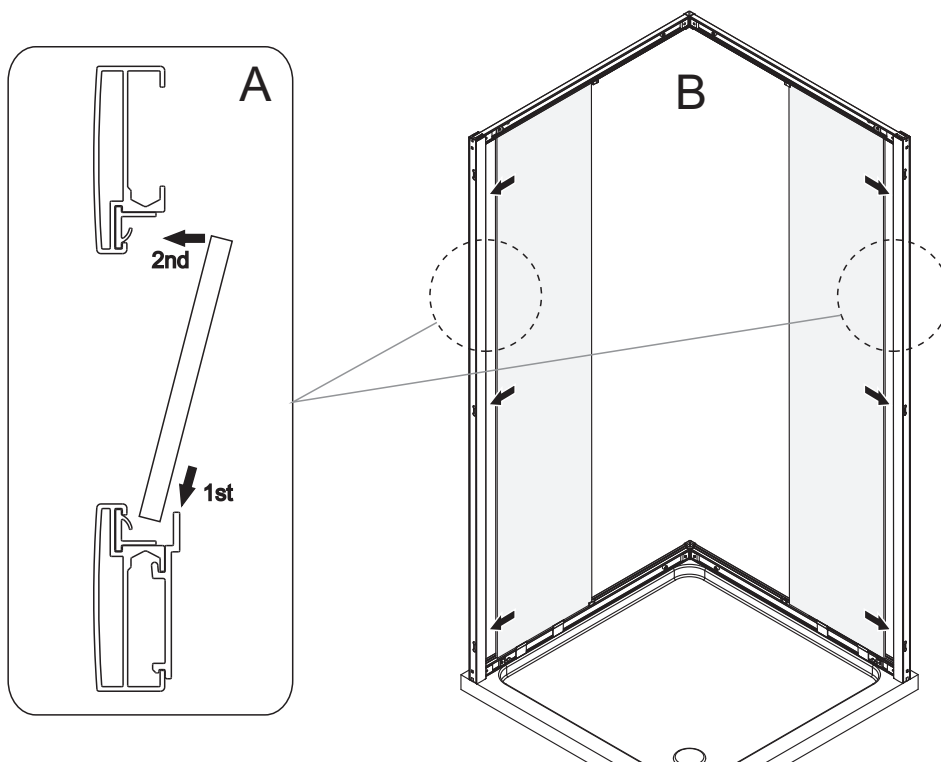
6

- A. Slide the clip K011/K012 away from the seal on the top and bottom of the frame.
 - B. Remove the PVC installation tool by releasing the side closest to the top first, then lift out from the frame.
 - C. Leave the bottom PVC installation tool in place to aid the fitting of the fixed glass panel.
- Note: make sure the installation tools are positioned at each end of the bottom seal.

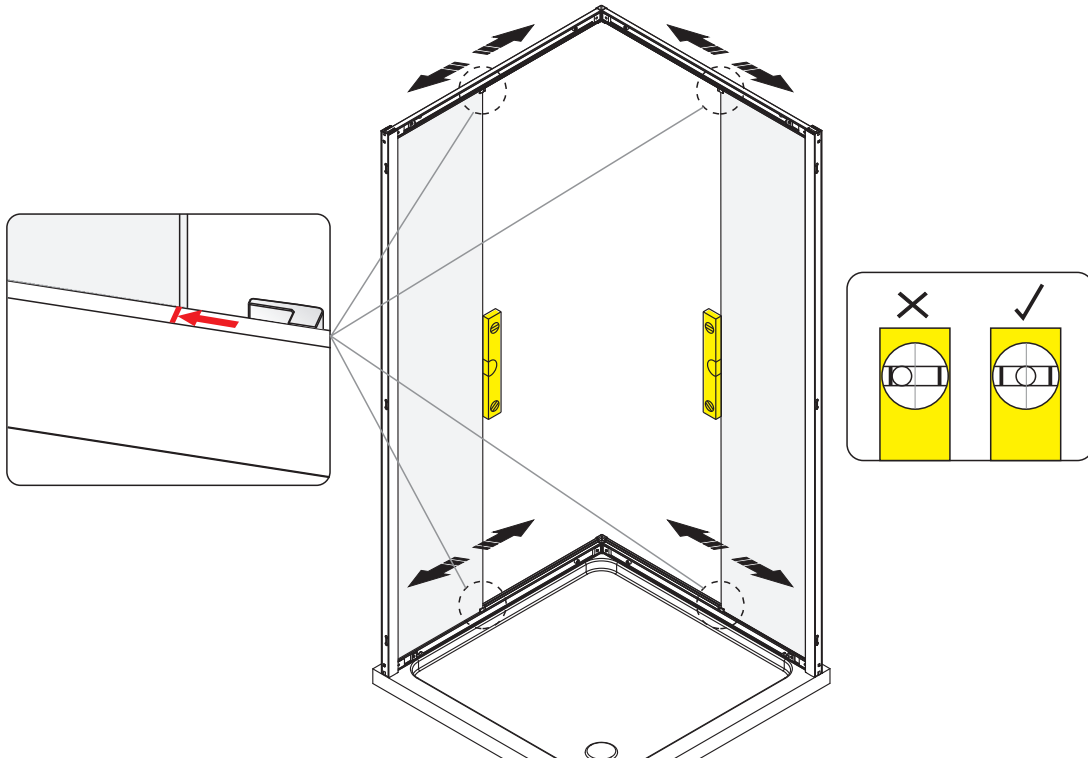


7

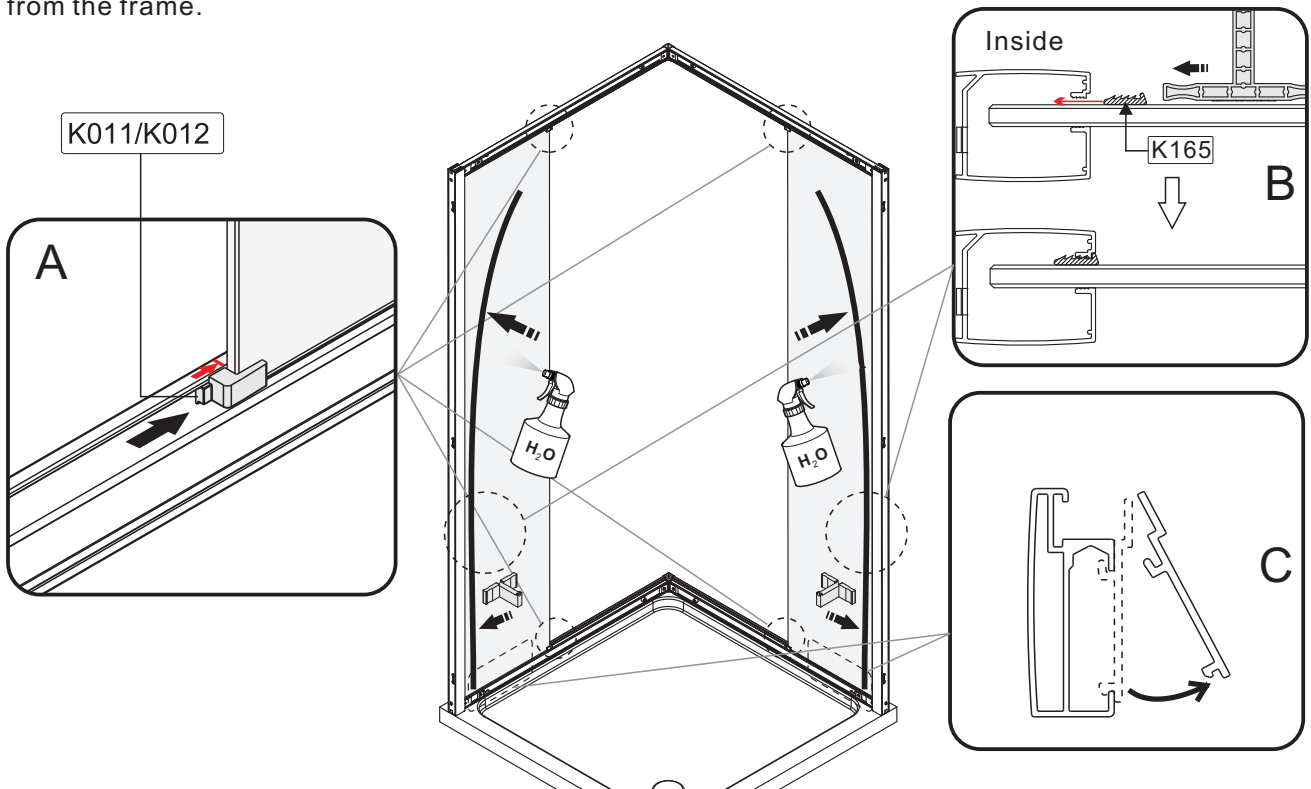
- A. Standing inside the enclosure, place the bottom of the fixed panel on the frame at a slight angle. Then lean the panel forward into the top frame.
- B. Slide the glass panel into the wall profile.



- 8 Adjust the top and bottom profile to align the glass with the red line on the labels while ensuring the glass is plumb.

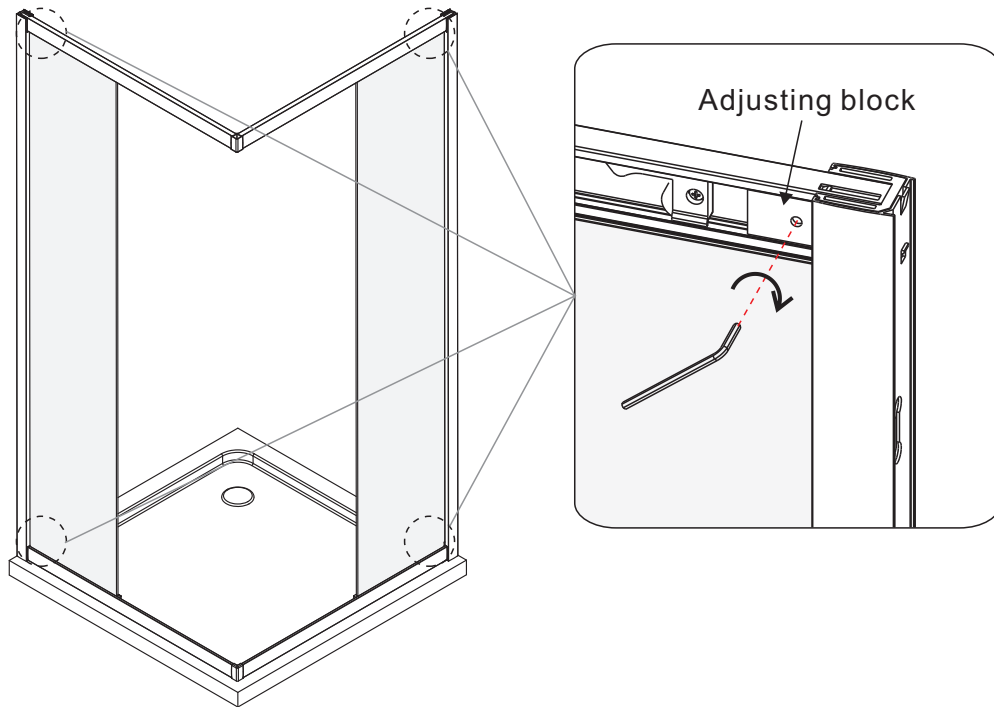


- 9 A. Slide the clip over the fixed panel on both the top and bottom.
 B. Starting at the bottom use the tool provided to insert the wedge gasket between the glass and the profile. Keep the flat side to the glass and the ridged side to the profile.
 Top Tip ! Dampen the seal with water to help slide into place.
 C. Remove the bottom PVC installation tool by releasing the side closest to the bottom first, then lift out from the frame.



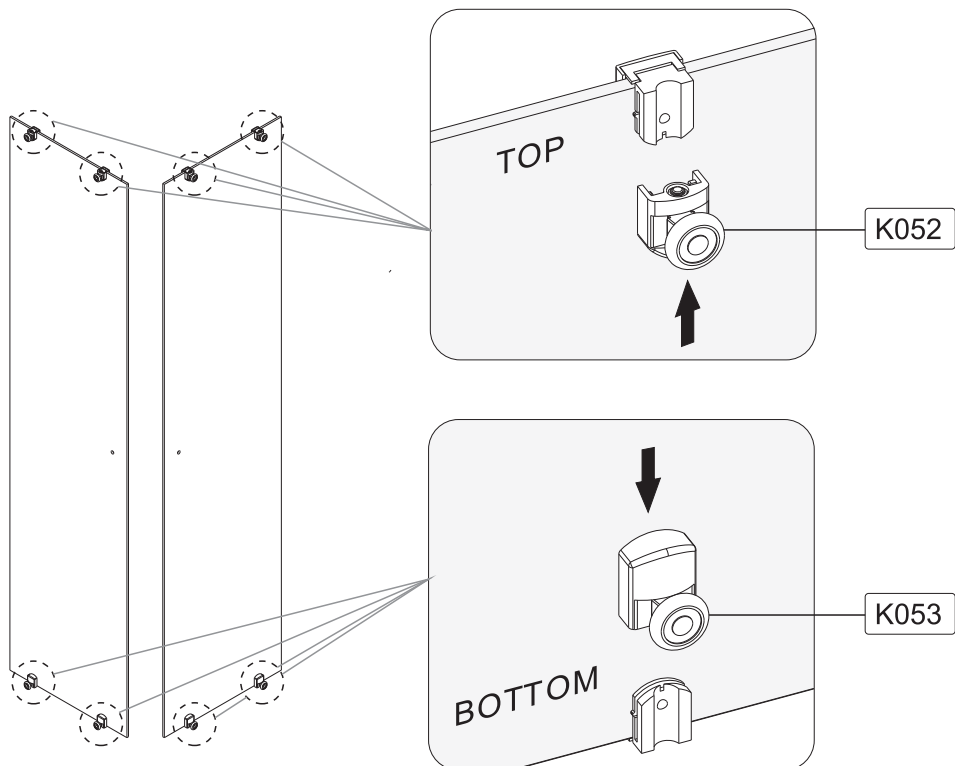
10

Tighten the grub screws until they are flush with the 'adjusting block'.

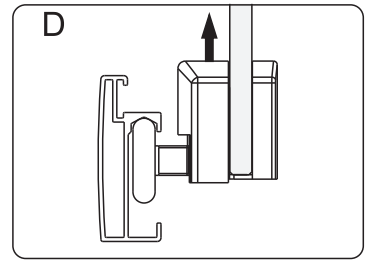
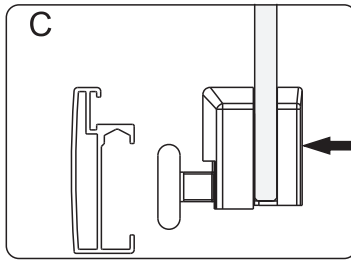
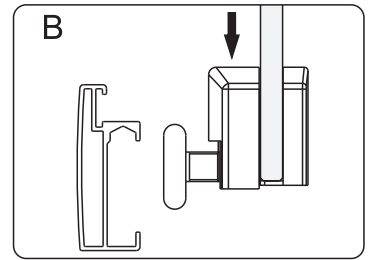
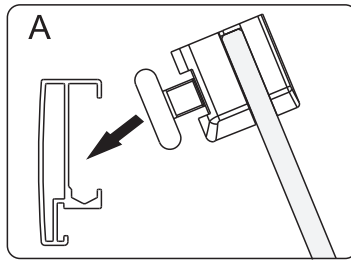
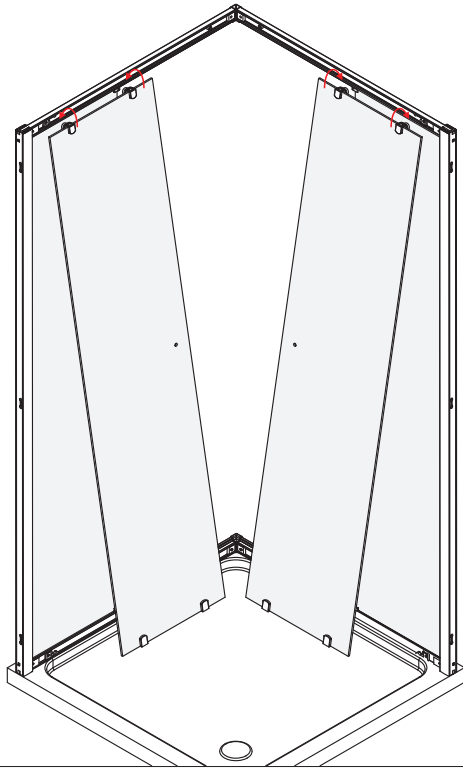


11

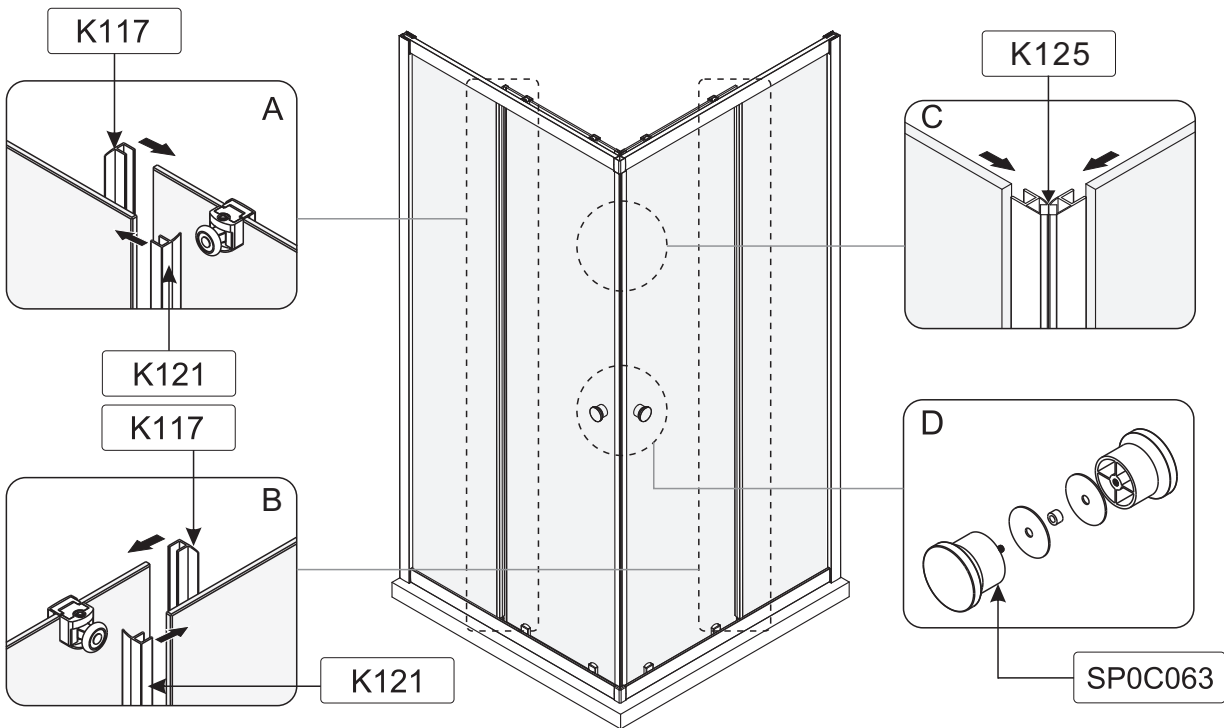
Orientate the door to match the product handing.
Note the position of the hole for handle.
Slide the rollers labeled 'TOP' onto the top and the 'BOTTOM' onto the bottom housings.



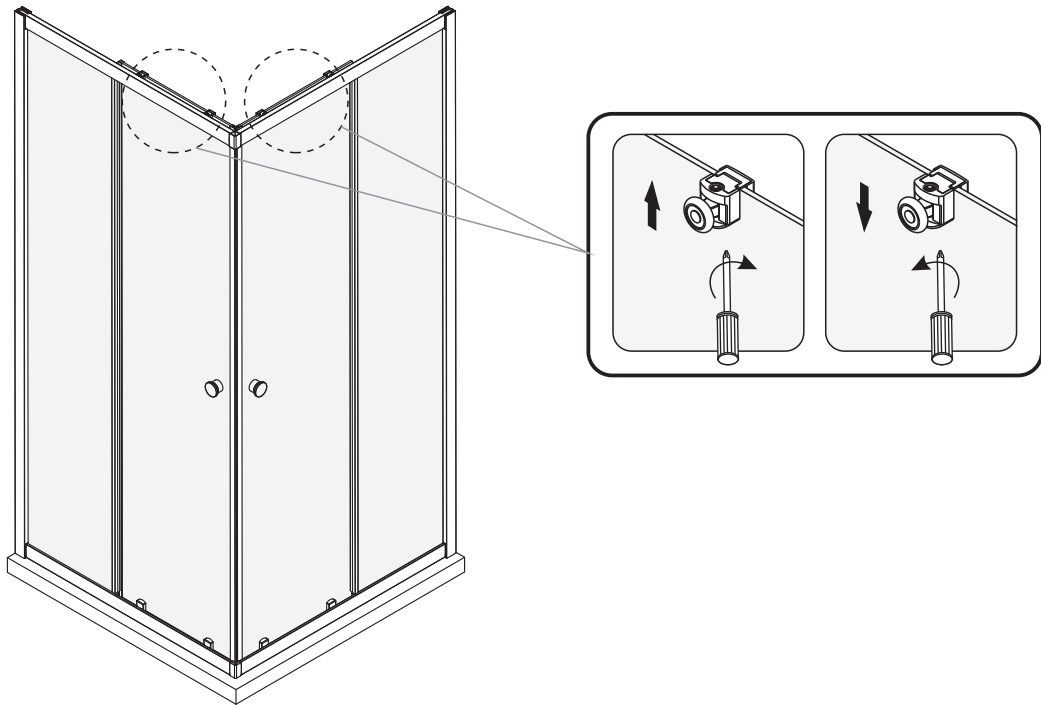
12



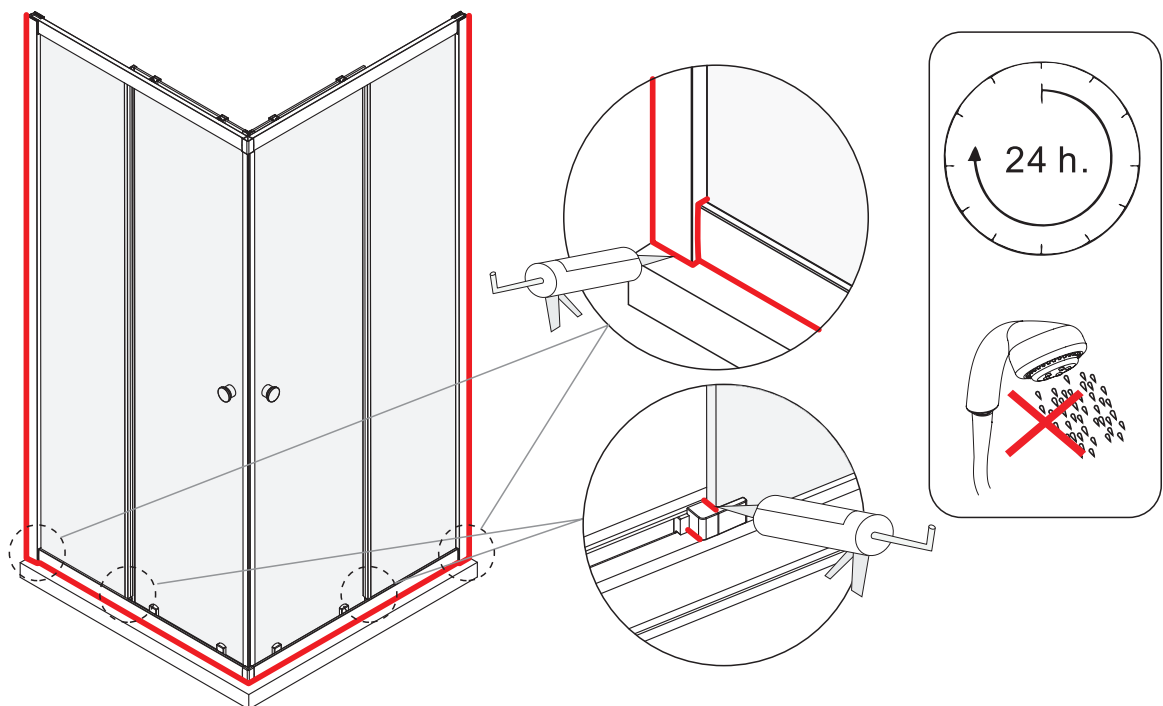
13




14 Adjust the rollers to ensure there are no gaps between the magnet seals.



15 Before sealing make sure all surfaces are clean, dry and free from any residue such as grout. Use a quality silicone sealant and applicator gun to finish the door. Seal between the bottom of the fixed panel seal and the clip and at the base of the clip where it sits on the frame. Seal between the bottom profile and the tray/tile. DO NOT USE THE ENCLOSURE FOR 24 HOURS



	
Merlyn Industries LTD (MER14)	
DOP:CEKB1.1	
19	
EN 14428	
Shower enclosures with aluminium profiles and safety glass	
Cleanability	:Pass
Impact resistance/ shatter properties	:Pass
Durability	:Pass

To download the Declaration of Performance (DOP) for this product please use the link below.

<https://merlynshowering.com/aftersales-support/dop-certs/>