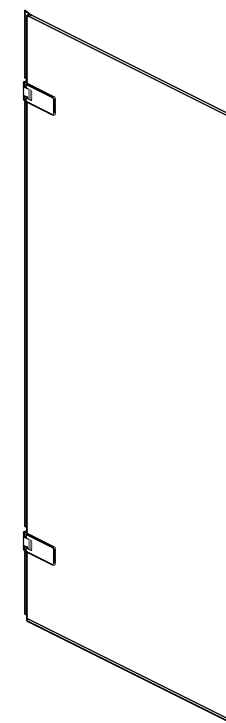


Wall Hinged Bathscren



INSTALLATION GUIDE

www.merlynshowering.com

CE	
Merlyn Industries Ltd (MER01)	
20	
EN 14428	
Declaration of performance number CEARH1.2	
Shower enclosures with aluminium profiles and safety glass	
Cleanability	: Pass
Impact resistance/ shatter properties	: Pass
Durability	: Pass

MERLYN

Merlyn Showering
Unit 8, Purcellsinch Industrial Park,
Dublin Road, Kilkenny, Ireland.
Tel: 00353 56 779 1555
Fax: 00353 56 779 1576
www.merlynshowering.com

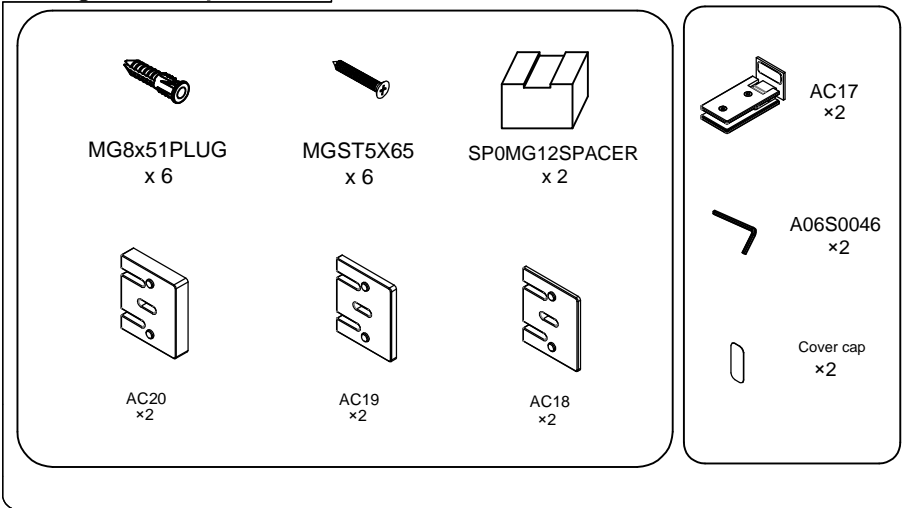
To download the Declaration of Performance (DOP) for
this product please use the link below.
<https://merlynshowering.com/aftersales-support/dop-certs/>

IMPORTANT: Please read the complete instructions before commencing fitting.

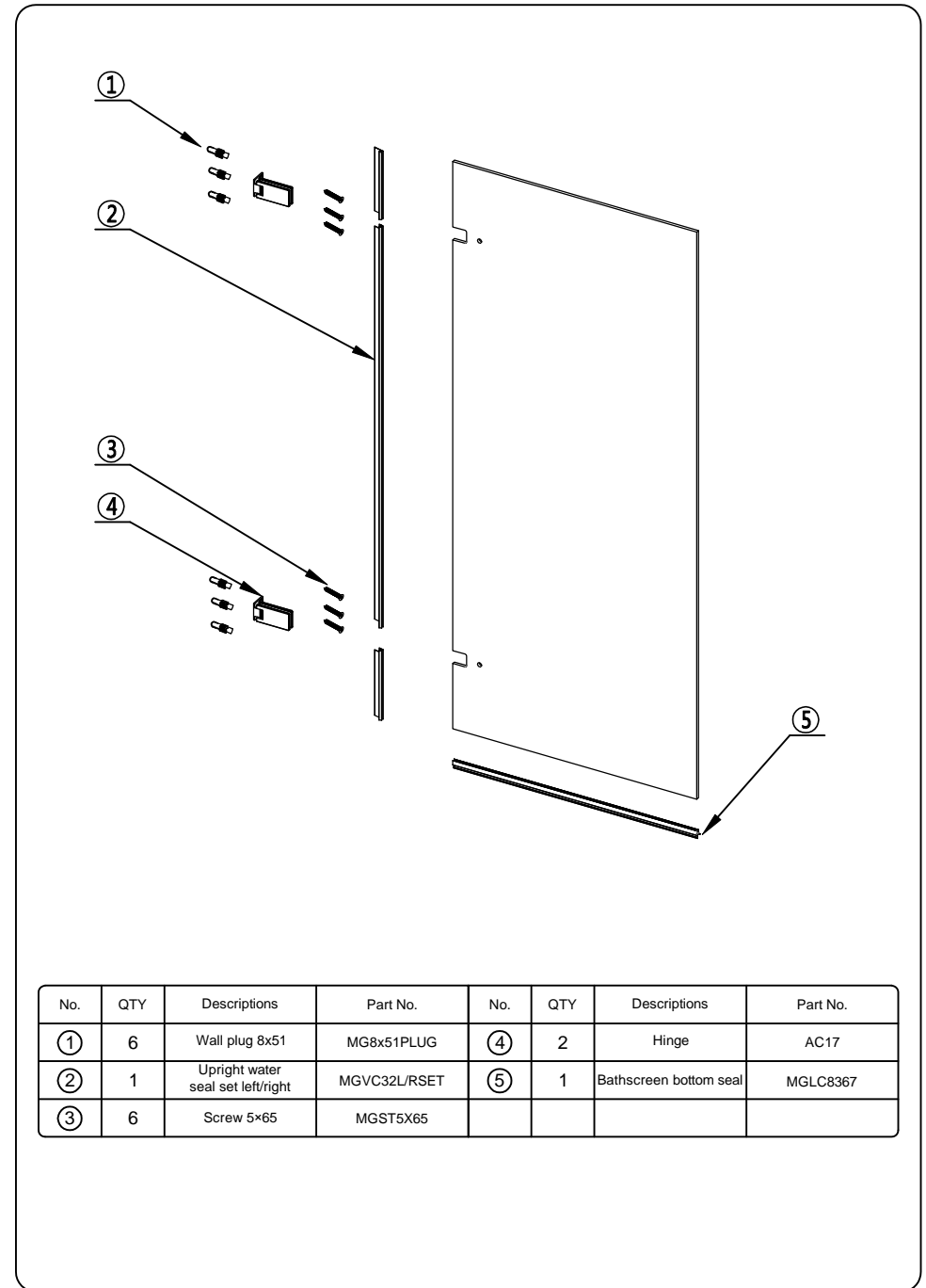
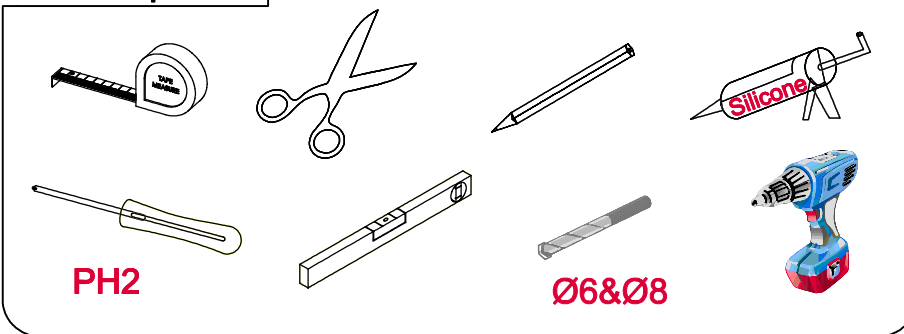
Make sure the tray is 100% level in all directions.
 Check that you have the tools required
 Check the installation site is compatible with the sizes of door supplied
 Check all the enclosure components are present
 Check the installation kit is complete
 Do Not attempt to install the product unless you can tick all 4 boxes satisfactory.
 The wall plugs supplied with the installation kit are for use in solid walls. Hollow or 'stud partition' walls will require alternative fixings. Please consult a hardware supplier for the correct type.

ATTENTION: TAKE EXTREME CARE WHEN HANDLING GLASS, WEAR PROTECTIVE EYEWEAR AND CLOTHING. DO NOT LEAVE THE GLASS ON HARD SURFACES AND AVOID CONTACT BETWEEN THE GLASS EDGES AND HARD SURFACES OR IMPACTS DURING THE INSTALLATION.

Fixing kit components



Tools required

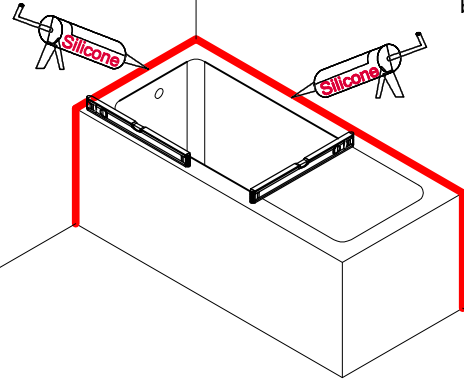
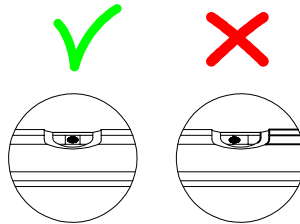


No.	QTY	Descriptions	Part No.	No.	QTY	Descriptions	Part No.
①	6	Wall plug 8x51	MG8x51PLUG	④	2	Hinge	AC17
②	1	Upright water seal set left/right	MGVC32L/RSET	⑤	1	Bathscreen bottom seal	MGLC8367
③	6	Screw 5x65	MGST5X65				

Step 1

IMPORTANT!

To create a good seal make sure the bath is 100% level before fitting.

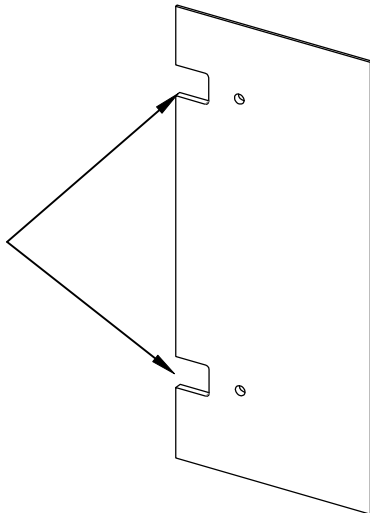


Step 2

The side of the panel with the cut out is the side fitted against the wall.



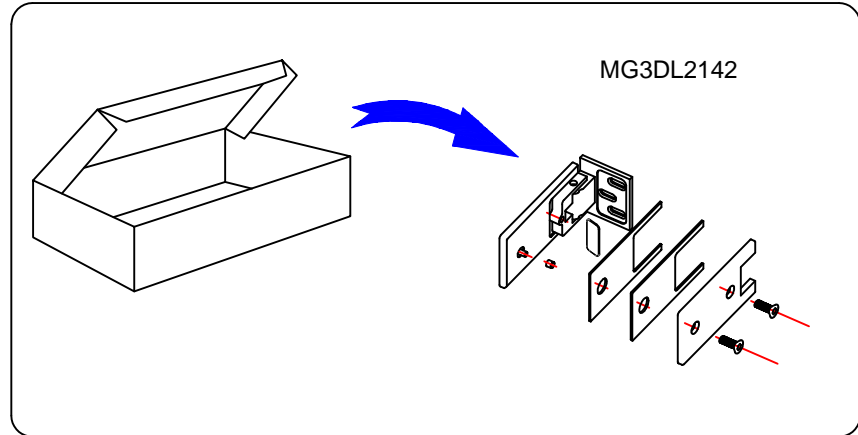
Cut out to wall



3

Step 3

Remove hinge back plate and gasket.

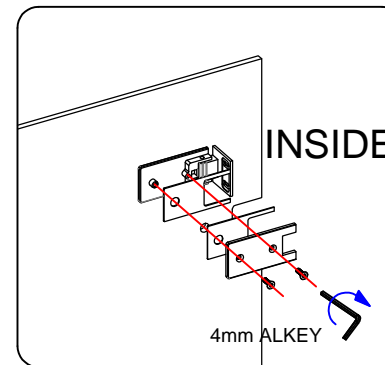


Step 4

Fit hinge to door keeping removable hinge plate to inside of door.

Step 5

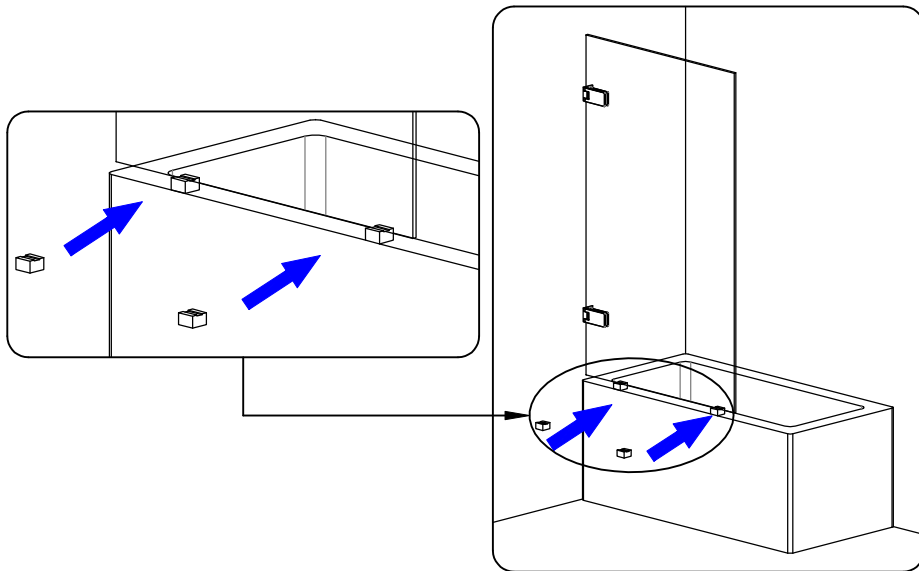
Use the MDF tool to square the hinge on the moving panel.



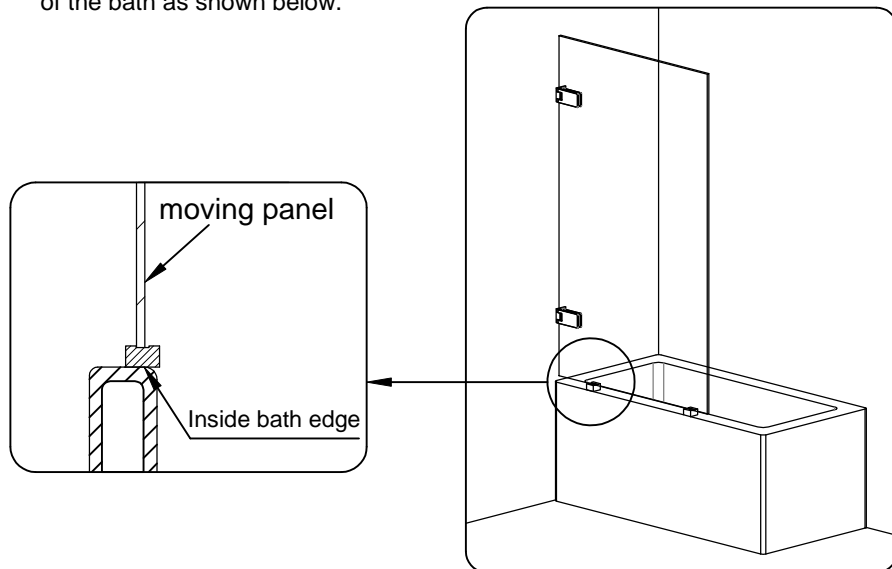
4

Step 6

- 6A Use the spacing blocks provided to set the height of your moving panel over the bath's edge.

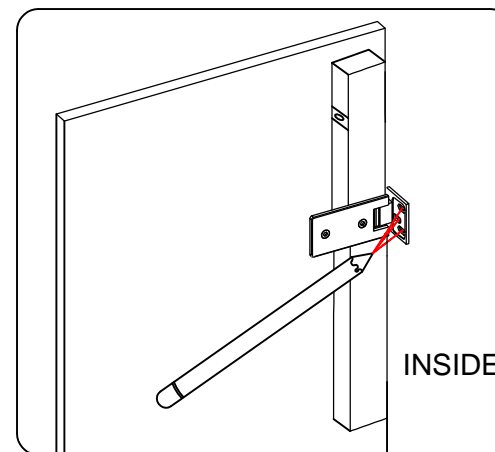


- 6B Position your bath screen so that the moving panel sits on the inside edge of the bath as shown below.



5

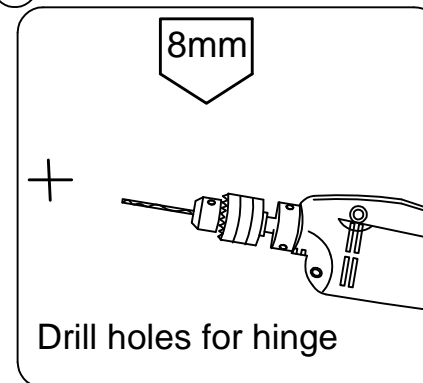
- 6C When you are happy with the position mark the fixing positions of your wall hinge making sure that your moving panel is kept plumb.



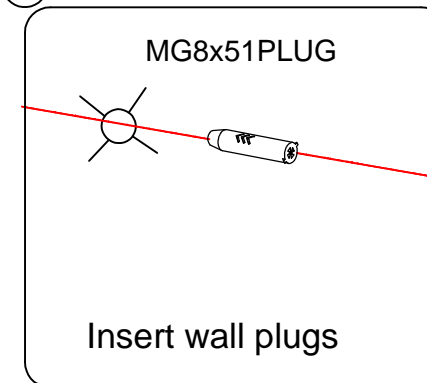
Step 7

Remove the bath screen so that you can prepare your wall for the fixings. Drill holes with 8mm bit and insert the wall plugs.

7A



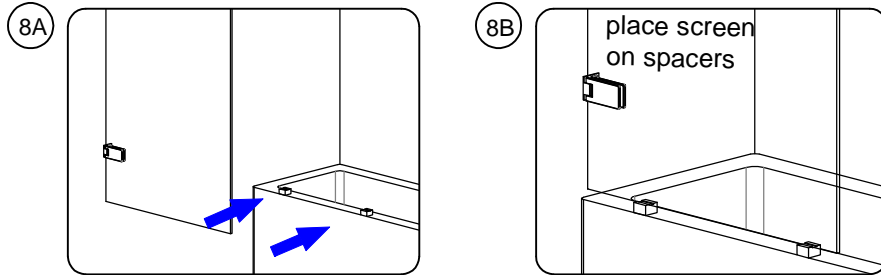
7B



6

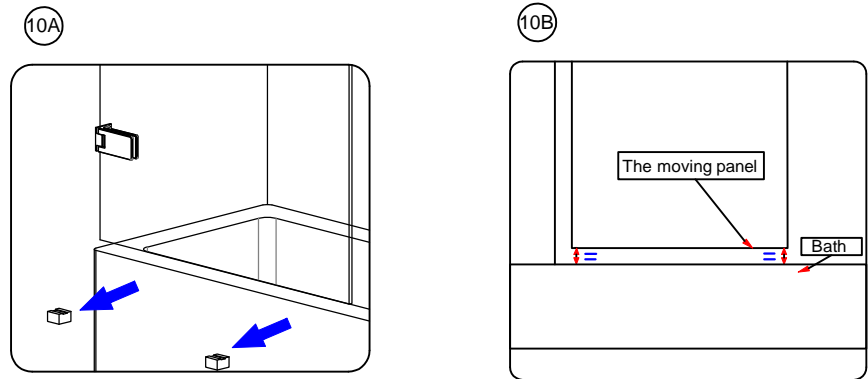
Step 8

Reposition the bath screen back on the spacers and line up your hinges with the drill holes.



Step 10

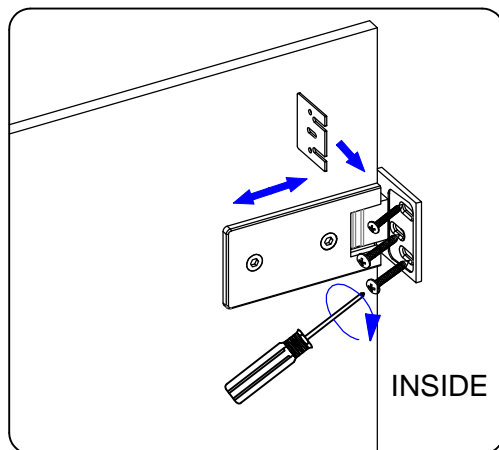
Remove spacers and check gap under moving panel is equal if gap is not equal loosen hinges slightly and adjust. Use packer to check gap is correct height and even.



Step 9

Fix panel to wall with 5x65mm screws. If wall is not plumb it may be necessary to fit packers behind the hinge plate.

Note: Use no more than 10mm packing at either hinge.



Step 11

11A Push on longest seal between hinges onto back edge of door keeping fin to inside. Take seal with 45° cut and fit to bottom of door keeping 45° cut to bottom. Fit remaining seal to top.

11B Fit bottom seal keeping longest fin to inside.

