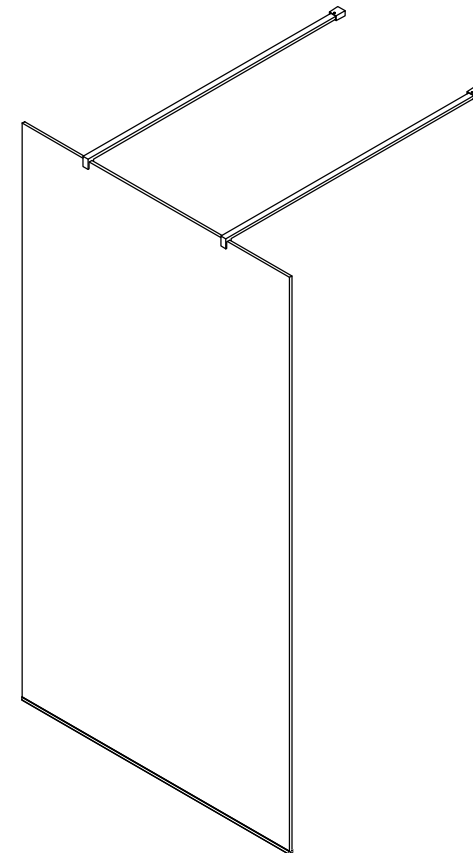


Shower Panel with Double Entry



www.merlynshowering.com

CE	
Merlyn Industries Ltd (MER01)	
20	
EN 14428	
Declaration of performance number CEARH1.2	
Shower enclosures with aluminium profiles and safety glass	
Cleanability	: Pass
Impact resistance/ shatter properties	: Pass
Durability	: Pass

MERLYN

Merlyn Showering
Unit 8, Purcellsinch Industrial Park,
Dublin Road, Kilkenny, Ireland.
Tel: 00353 56 779 1555
Fax: 00353 56 779 1576
www.merlynshowering.com

To download the Declaration of Performance (DOP) for
this product please use the link below.
<https://merlynshowering.com/aftersales-support/dop-certs/>

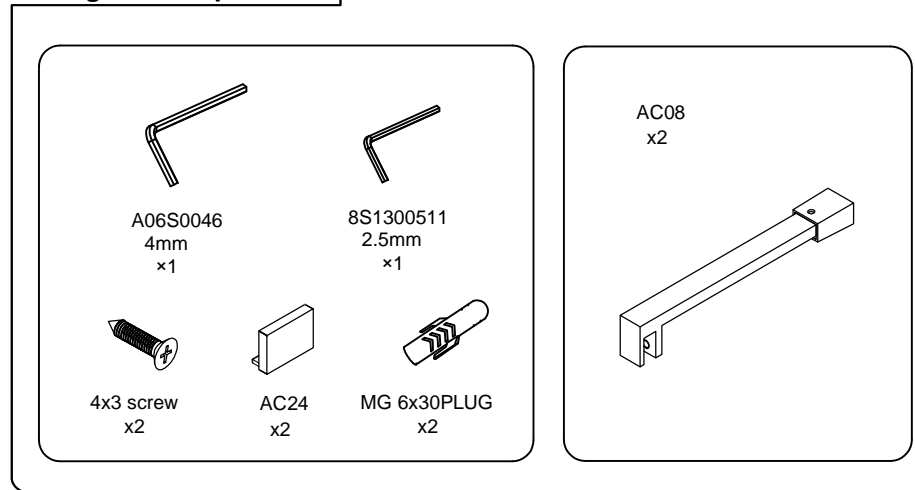
INSTALLATION GUIDE

IMPORTANT: Please read the complete instructions before commencing fitting.

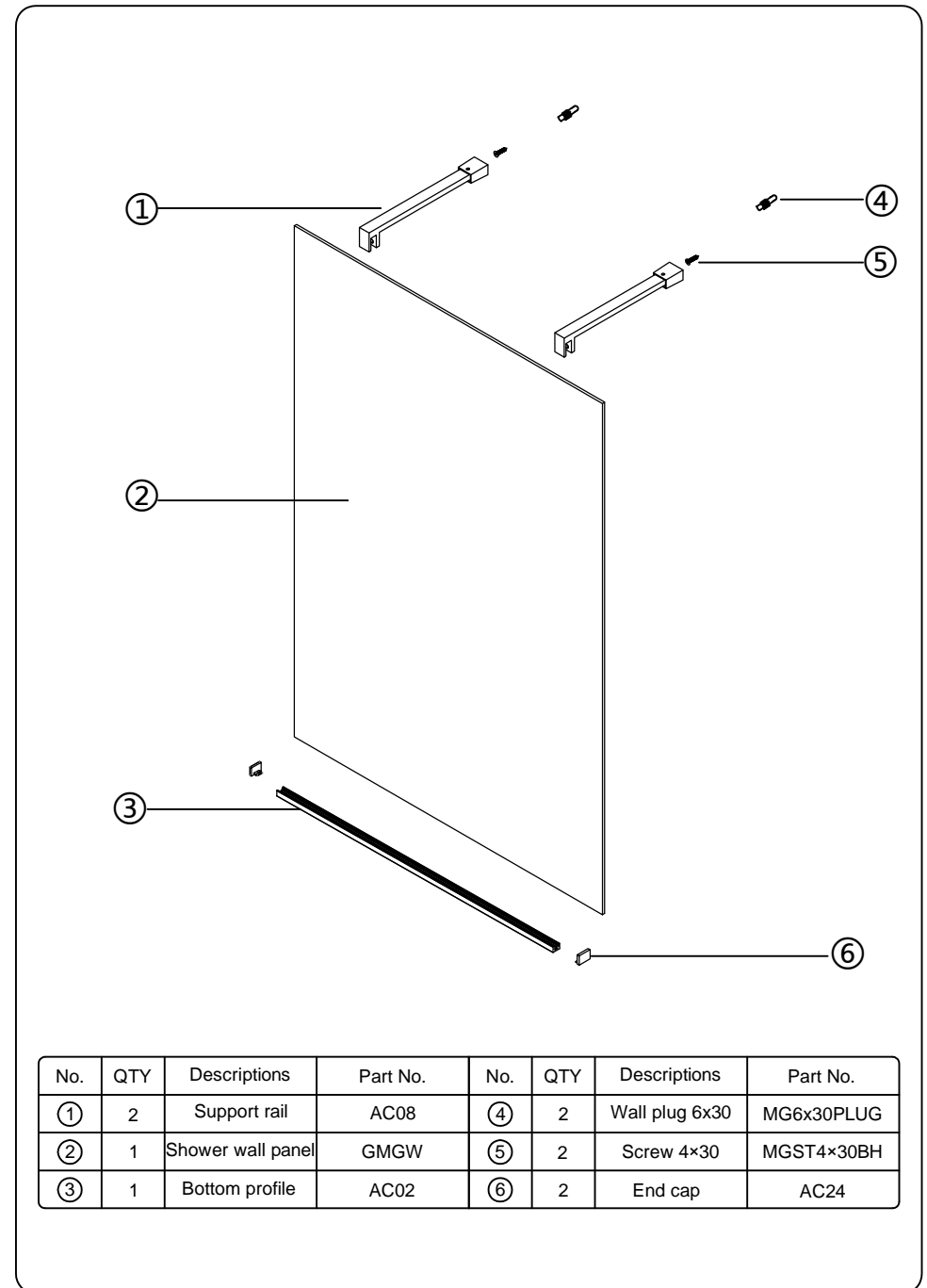
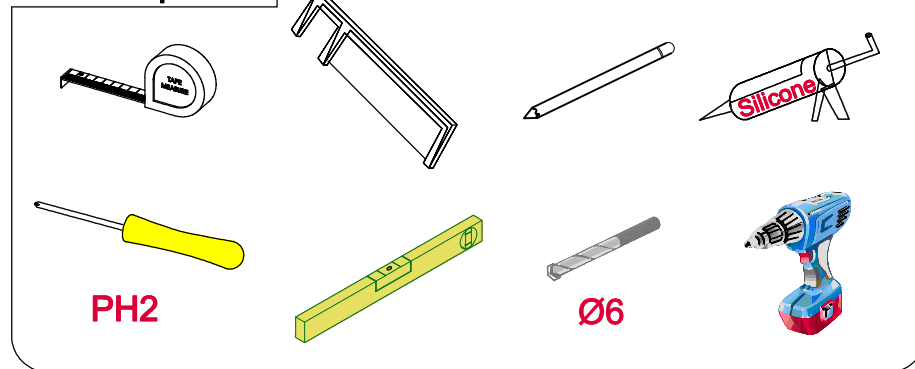
Make sure the tray is 100% level in all directions.
 Check that you have the tools required.
 Check the installation site is compatible with the sizes of door supplied.
 Check all the enclosure components are present.
 Check the installation kit is complete.
 Do Not attempt to install the product unless you can tick all 4 boxes satisfactory.
 The wall plugs supplied with the installation kit are for use in solid walls. Hollow or 'stud partition' walls will require alternative fixings. Please consult a hardware supplier for the correct type.

ATTENTION: TAKE EXTREME CARE WHEN HANDLING GLASS, WEAR PROTECTIVE EYEWEAR AND CLOTHING. DO NOT LEAVE THE GLASS ON HARD SURFACES AND AVOID CONTACT BETWEEN THE GLASS EDGES AND HARD SURFACES OR IMPACTS DURING THE INSTALLATION.

Fixing kit components



Tools required



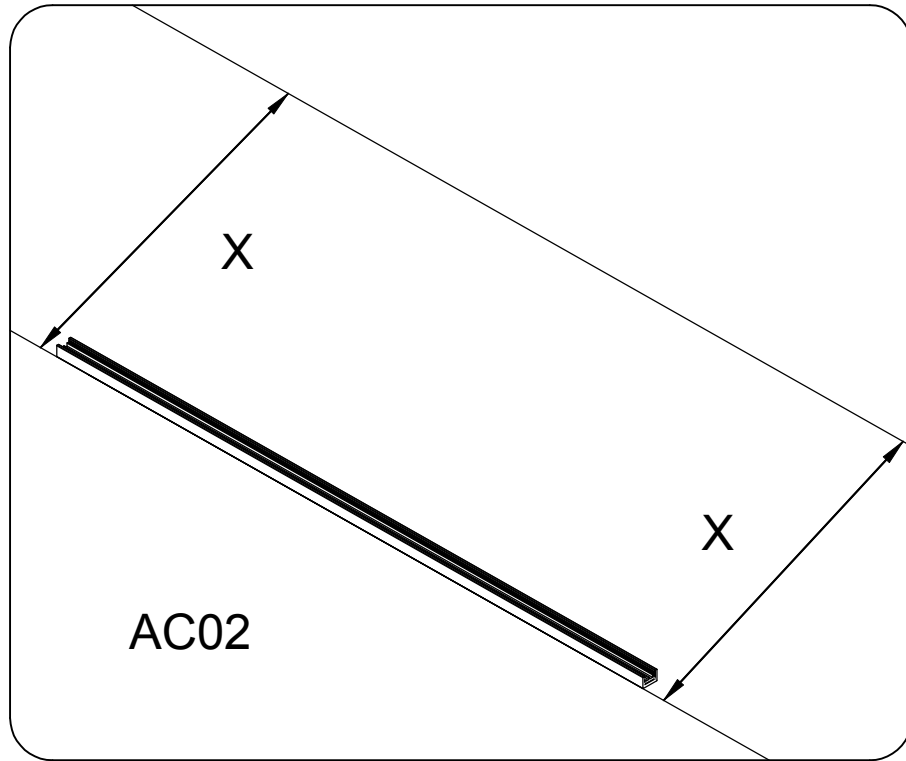
No.	QTY	Descriptions	Part No.	No.	QTY	Descriptions	Part No.
①	2	Support rail	AC08	④	2	Wall plug 6x30	MG6x30PLUG
②	1	Shower wall panel	GMGW	⑤	2	Screw 4x30	MGST4x30BH
③	1	Bottom profile	AC02	⑥	2	End cap	AC24

Step 1

Remove the protective strip from the base of the bottom profile and place the bottom profile in the desired position.

NOTE: The max distance (X) the shower wall can be fitted from back wall is 1020mm for Matt Black and 1520mm for all other colours.

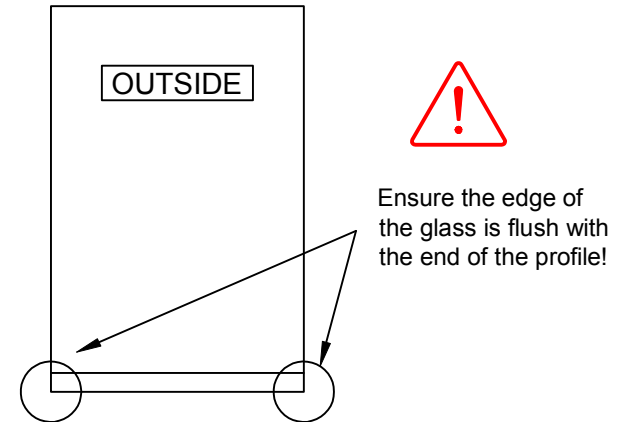
**Attention: 3M adhesive tape is single use only.
You will have just 1 attempt to fit profile.**



1

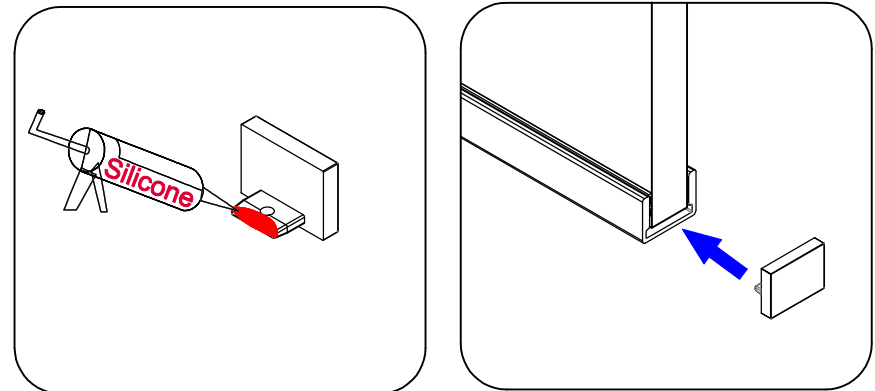
Step 2

Note which side is labeled OUTSIDE. Place glass panel into bottom profile ensuring the edge of the glass is flush with the end of the profile.



Step 3

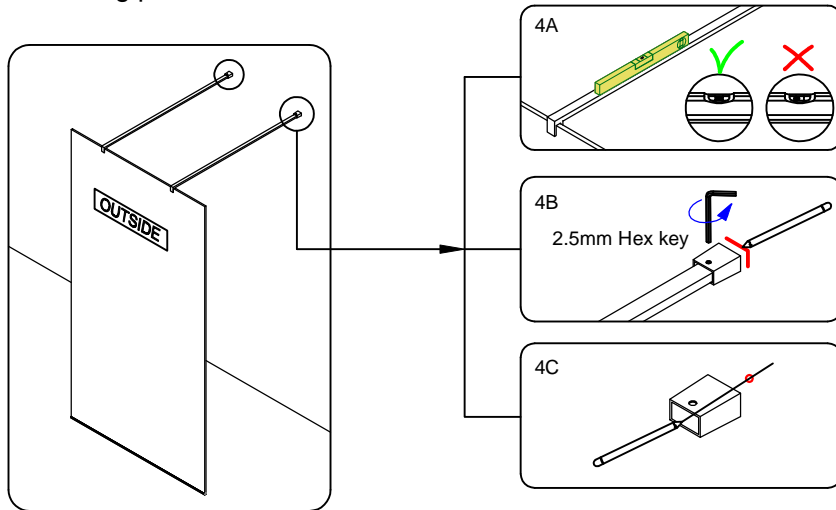
Apply a bit silicone to end cap, then insert into bottom profile.



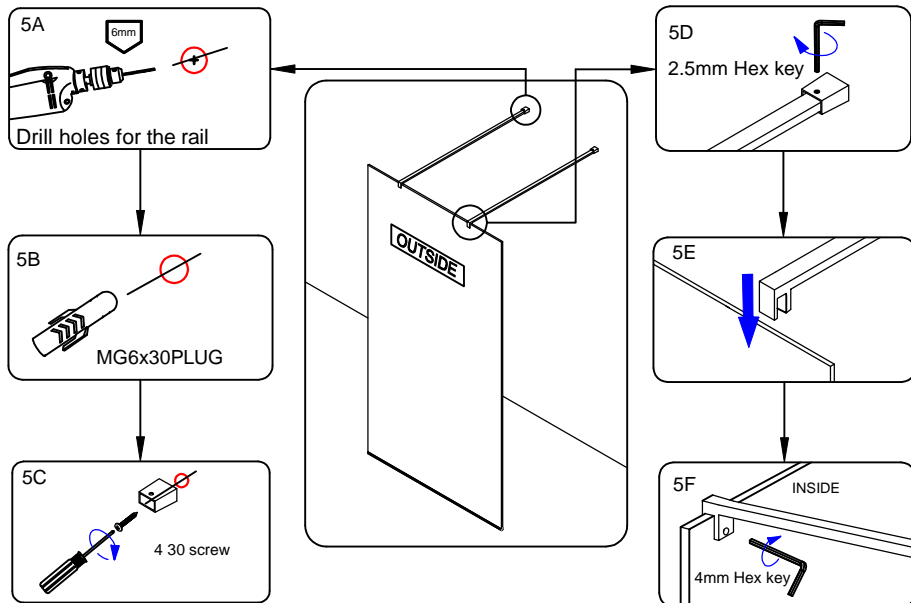
2

Step 4

Level the rail and mark the position of the bracket on the wall, then mark the fixing point.



Step 5



Step 6 Sealing your enclosure.

Make sure all surfaces are thoroughly cleaned and dry before applying sealant.

Seal along the outside edge of the bottom profile.

